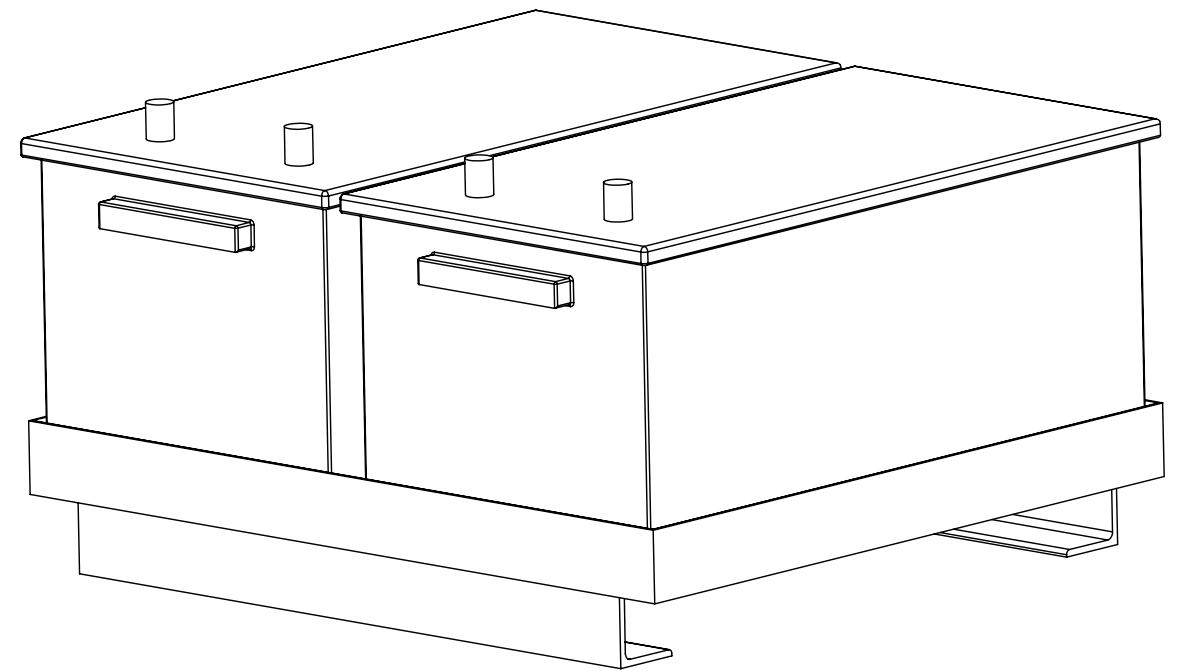
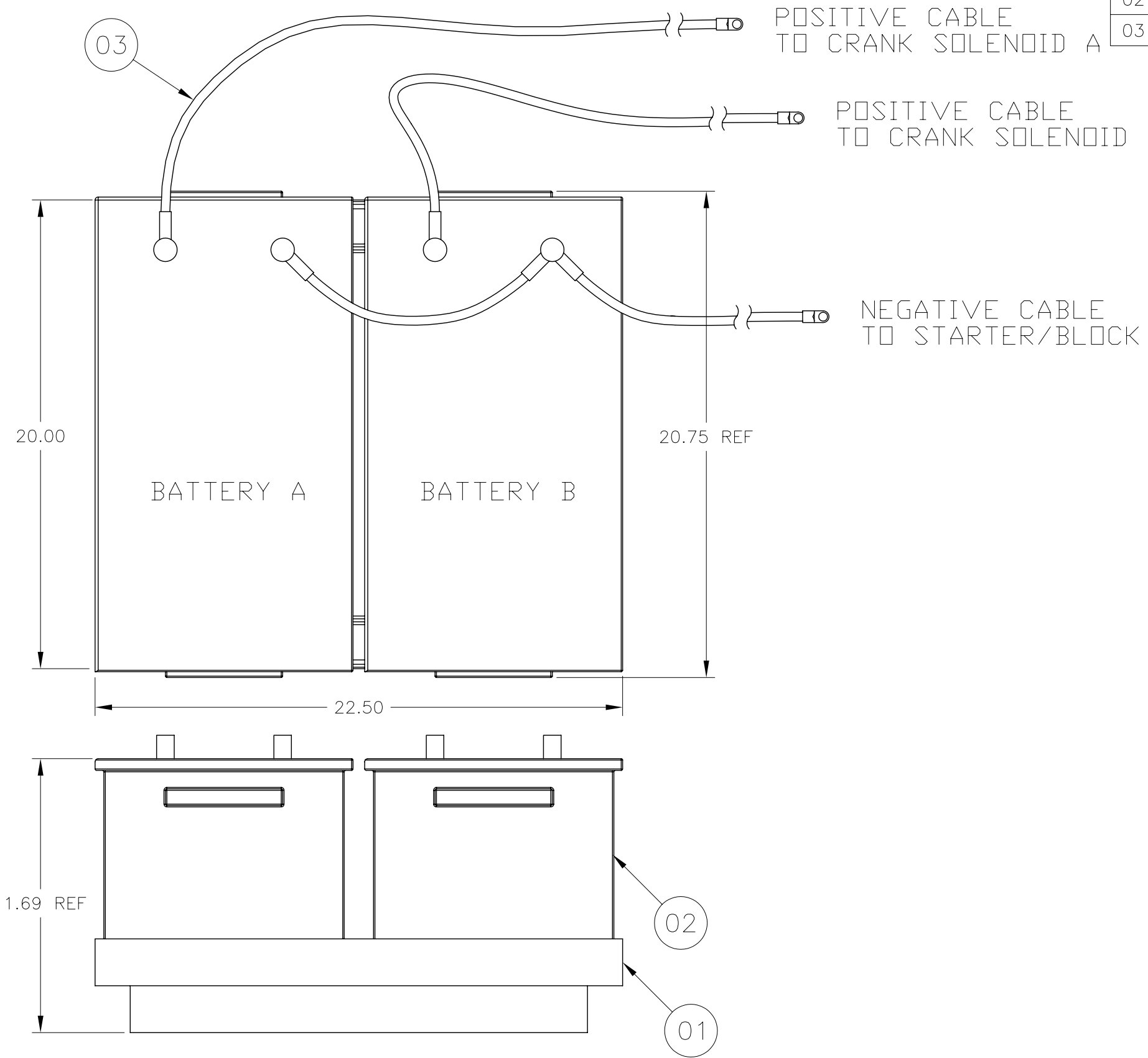


ITEM	QTY	DESCRIPTION	MATERIAL
01	1	BATTERY RACK	6138
02	2	BATTERY, GROUP 8D	
03	1	CABLE KIT, 60" NOMINAL CABLE LENGTHS	

Each 8D battery is 12V with 1400 CCA



<small>ALL RIGHTS TO MANUFACTURE, COPY OR DISPOSE OF THIS DRAWING OR ITS CONTENTS ARE RESERVED UNLESS OTHERWISE SPECIFIED IN WRITING BY CUMMINS NPOWER, LLC</small>			<small>CUMMINS NPOWER CORPORATE OFFICE 1600 BUERKLE ROAD WHITE BEAR LAKE, MN WWW.NPOWER.CUMMINS.COM</small>	<small>CUMMINS FIRE POWER DESIGN CENTER 875 LAWRENCE DRIVE DEPERE, WISCONSIN WWW.CUMMINSFIREPOWER.COM</small>
	<small>UNLESS OTHERWISE NOTED - ALL DIMENSIONS ARE IN INCHES - APPLY MACHINE TOLERANCES .X = ± 0.06 .XX = ± 0.010 .XXX = ± 0.001 - APPLY WELDED TOLERANCES .X = ± 0.25 .XX = ± 0.12 .XXX = ± 0.06</small>	<small>DWG SCALE: 1/8</small>	<small>DRAWN BY: DAVE N</small>	<small>DATE: 06JUL2005</small>
	<small>PLOT SCALE:</small>	<small>APPD BY:</small>	<small>DATE:</small>	
<small>DESCRIPTION</small> ASSEMBLY, RACK & BATTERIES & CABLES				
<small>REFERENCE:</small> TWO 8D'S			<small>DRAWING NUMBER:</small> 10049	

REV	DESCRIPTION OF REVISION	BY	DATE