

MASS ELASTIC DATA  
 STIFFNESS K = 0.213 DEG/100 LBFT  
 INERTIA  $W r^2 = 0.15 \text{ LBxFT}^2$

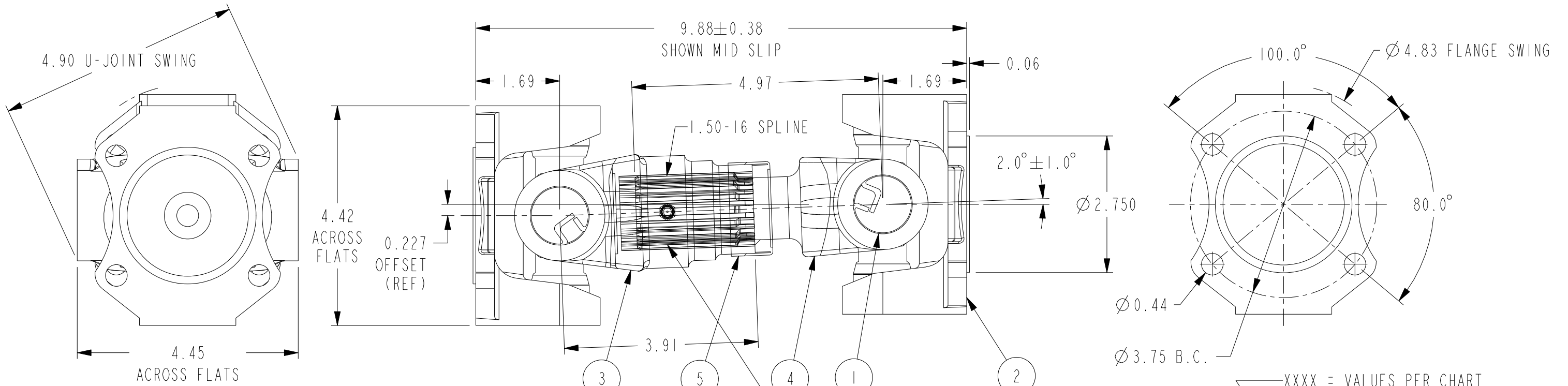
WEIGHT = 13.5 LB

UL LISTED VENDOR P/N 8134-SF  
 ASSEMBLED AND BALANCED  
 P/N: 311924-001 (NO SERVICEABLE PARTS)

BOLT KIT:  
 P/N 300-1003 (THRU HOLE)  
 P/N 300-1004 (TAPPED HOLE)

UL LISTED RPM	UL LISTED TORQUE
1470	379
1760	359
2100	341
2350	330
2600	320

ITEM	P/N	DESCRIPTION	QTY
1	5-160X	U-JOINT	2
2	3-2-159	FLANGE YOKE	2
3	3-3-468KX	SLIP YOKE	1
4	3-82-81	STUB YOKE	1
5	D3A	DUST CAP	1



PERMANENT LABEL LACATION

XXXX = VALUES PER CHART (4) PLACES

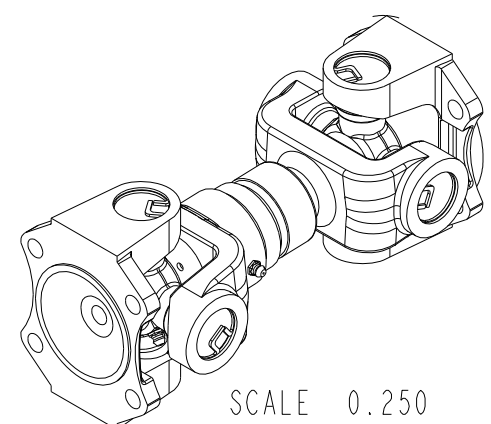
Cummins Fire Power	TORQUE AT MIN SPEED	UL LISTED
	XXXX FT/LB AT XXXX RPM	
Cummins Fire Power	TORQUE AT MAX SPEED	40WU
	XXXX FT/LB AT XXXX RPM	

P/N

MFG-P/N-DATE CODE

SCALE 2.000

CFP#14346 LABEL PROVIDED WITH:  
 MFG-P/N-DATE CODE, CHART  
 VALUES, AND SERIAL NUMBER  
 (APPLIED BY SHAFT VENDOR)



This document contains confidential and trade secret information, is the property of Cummins Fire Power LLC and is given to the receiver in confidence. The receiver, by receiving and retaining of the document accepts the document in confidence and agrees that, except as authorized in writing by Cummins Fire Power, it will (1) not use the document or any copy thereof or the confidential or trade secret information therein, (2) not copy the document, (3) not disclose to others either the document or the confidential or trade secret information therein, and (4) upon completion of the need to retain the document, or upon demand, return the document, all copies thereof, and all material copied therefrom. COPYRIGHT Cummins Fire Power LLC

UNLESS OTHERWISE SPECIFIED ALL DIMENSION TOLERANCES ARE

ANGULAR DIMENSIONS ± 1°	IMPERIAL UNITS	METRIC UNITS
THIRD ANGLE PROJECTION	MACHINE TOLERANCES .XX ± 0.010 .XX ± 0.005	MACHINE TOLERANCES .XX ± 0.2 .XX ± 0.1
	FORM TOLERANCES .XX ± 0.010 .XX ± 0.015	FORM TOLERANCES .XX ± 0.8 .XX ± 0.4
	FAB TOLERANCES .XX ± 0.080 .XX ± 0.030	FAB TOLERANCES .XX ± 1.5 .XX ± 0.8

Cummins Fire Power

CUMMINS FIRE POWER LLC  
 CORPORATE OFFICE  
 1600 BUERKLE ROAD  
 WHITE BEAR LAKE, MN  
 WWW.CUMMINSFIREPOWER.COM

CUSTOM DESIGN  
 AND UPFIT CENTER  
 875 LAWRENCE DRIVE  
 DEPERE, WISCONSIN

DRIVESHAFT, 1410, SHORT COUPLED  
 UL LISTED FOR FIREPUMP SERVICE

DWG UNITS:      DRAWN BY: GVD      DATE: 19AUG2008

SCALE: 0.500      SHEET 1 OF 1      REF DRWG:

EST WEIGHT: 13.500      DRAWING NO: 13417

REV	ENF	DESCRIPTION OF REVISION	REV BY	DATE
B	2009-090	ADDED DIMS. REV CHART.	DAVE N	25MAR2009
A	2009-006	REV PER TITLE BLOCK. ADDED P/N	DAVE N	03FEB2009