

MASS ELASTIC DATA
 STIFFNESS K = 0.041 DEG/100 LBFT
 INERTIA $Wr^2 = 1.05 \text{ LB}\cdot\text{FT}^2$

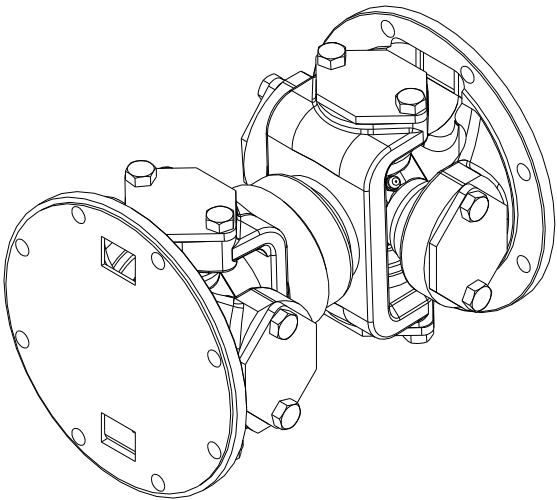
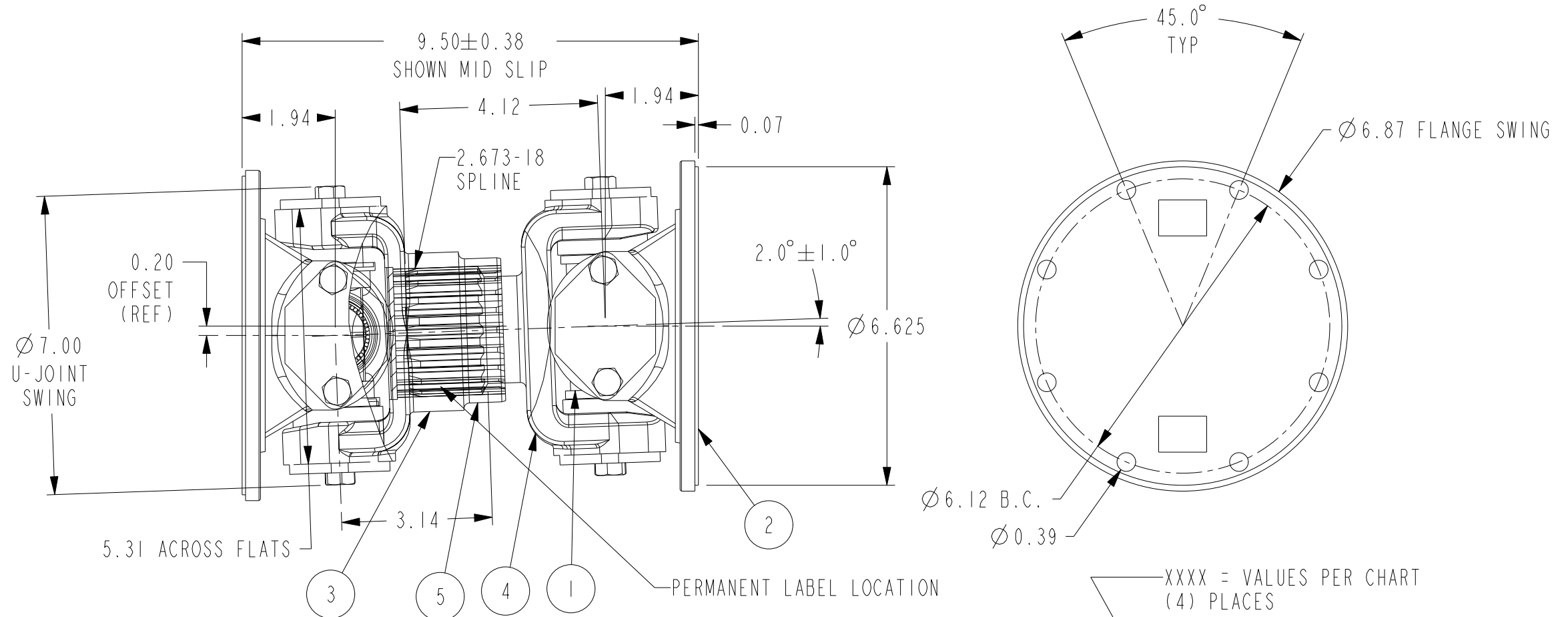
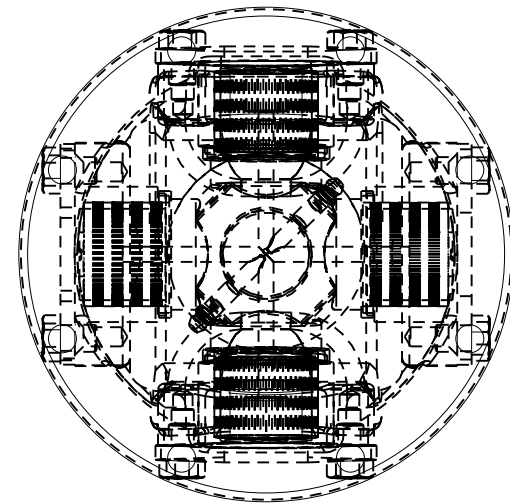
WEIGHT = 44 LB

UL LISTED VENDOR P/N 906224-1
 ASSEMBLED AND BALANCED
 P/N: 311927-001 (NO SERVICEABLE PARTS)

BOLT KIT:
 P/N 300-1007 (THRU HOLE)
 P/N 300-1008 (TAPPED HOLE)

UL LISTED RPM	UL LISTED TORQUE
1470	950
1760	950
2100	946
2350	915
2600	887
2800	868
3000	850

ITEM	P/N	DESCRIPTION	QTY
1	5-279X	U-JOINT	2
2	5-2-379	FLANGE YOKE	2
3	5-3-168KX	SLIP YOKE	1
4	5-82-161	STUB YOKE	1
5	DC5	DUST CAP	1



SCALE 0.250

CFP#14346 LABEL PROVIDED WITH:
 MFG-P/N-DATE CODE, CHART
 VALUES, AND SERIAL NUMBER
 (APPLIED BY SHAFT VENDOR)

Cummins Fire Power logo and UL LISTED 40WU FLEXIBLE CONNECTING SHAFT logo.

TORQUE AT MIN SPEED	XXXX FT/LB AT XXXX RPM
TORQUE AT MAX SPEED	XXXX FT/LB AT XXXX RPM

P/N MFG-P/N-DATE CODE

SCALE 2.000

This document contains confidential and trade secret information, is the property of Cummins Fire Power LLC and is given to the receiver in confidence. The receiver, by receiving and retaining of the document accepts the document in confidence and agrees that, except as authorized in writing by Cummins Fire Power, it will (1) not use the document or any copy thereof or the confidential or trade secret information therein, (2) not copy the document, (3) not disclose to others either the document or the confidential or trade secret information therein, and (4) upon completion of the need to retain the document, or upon demand, return the document, all copies thereof, and all material copied therefrom. COPYRIGHT Cummins Fire Power LLC



CUMMINS FIRE POWER LLC
 CORPORATE OFFICE
 1600 BUERKLE ROAD
 WHITE BEAR LAKE, MN
 WWW.CUMMINSFIREPOWER.COM

CUSTOM DESIGN
 AND UPFIT CENTER
 875 LAWRENCE DRIVE
 DEPERE, WISCONSIN

UNLESS OTHERWISE SPECIFIED ALL DIMENSION TOLERANCES ARE

ANGULAR DIMENSIONS ± 1°	IMPERIAL UNITS	METRIC UNITS
THIRD ANGLE PROJECTION	MACHINE TOLERANCES .XX ± 0.010 .XX ± 0.005	MACHINE TOLERANCES .XX ± 0.2 .XX ± 0.1
	FORM TOLERANCES .XX ± 0.030 .XX ± 0.015	FORM TOLERANCES .XX ± 0.8 .XX ± 0.4
	FAB TOLERANCES .XX ± 0.060 .XX ± 0.030	FAB TOLERANCES .XX ± 1.5 .XX ± 0.8

DRIVESHAFT, 1610 SHORT COUPLED UL LISTED		DATE: 19AUG2008
DWG UNITS:	DRAWN BY: GVD PRO-ENGINEER	REF DRWG:
SCALE: 0.375	SHEET 1 OF 1	DRAWING NO: 13420
EST WEIGHT: 44.000		

REV	ENF	DESCRIPTION OF REVISION	REV BY	DATE
B	2009-090	ADDED DIMS. REV CHART	DAVE N	25MAR2009
A	2009-006	REV PER TITLE BLOCK. ADDED P/N	DAVE N	03FEB2009