

MASS ELASTIC DATA
 STIFFNESS K = 0.037 DEG/100 LBFT
 INERTIA $W_r^2 = 1.78 \text{ LB}\cdot\text{FT}^2$

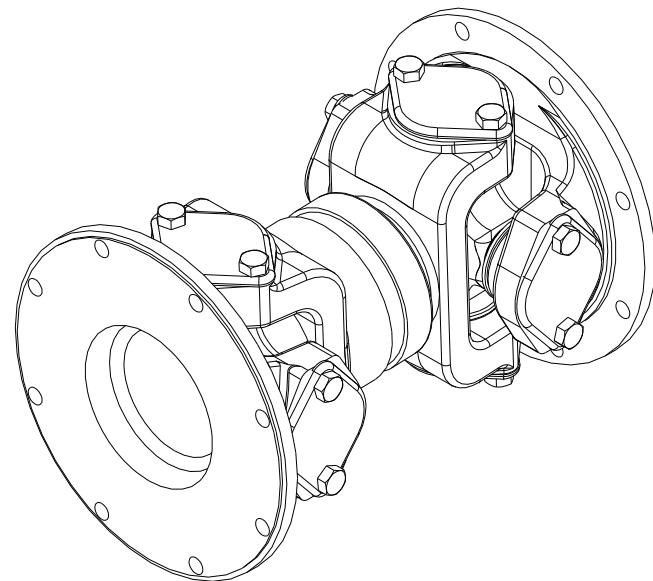
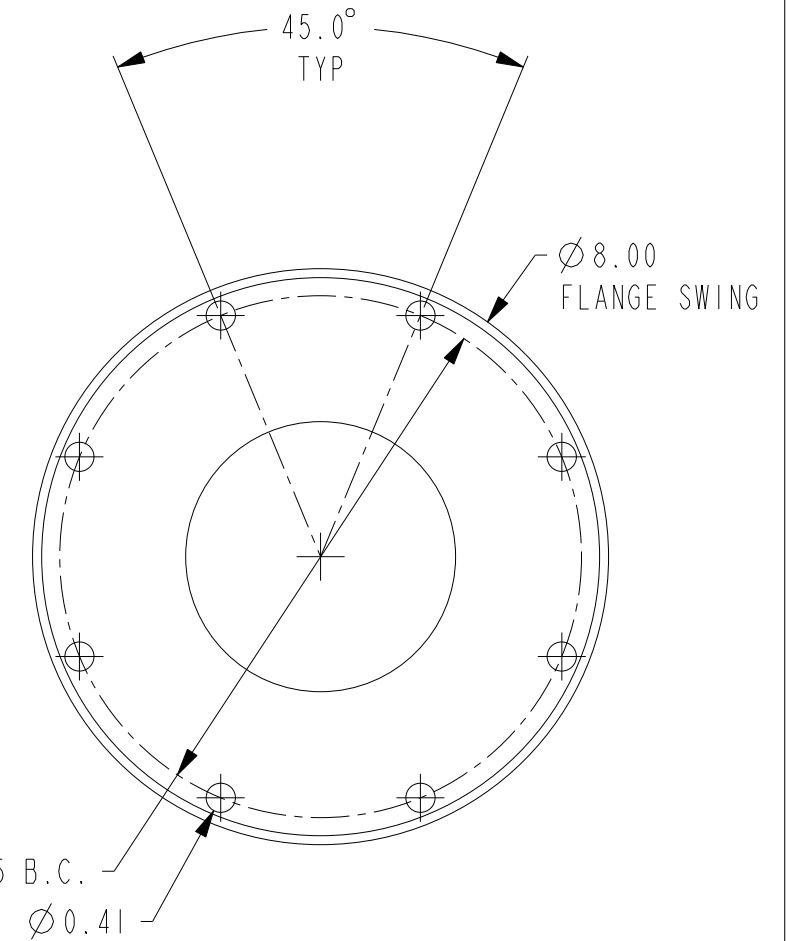
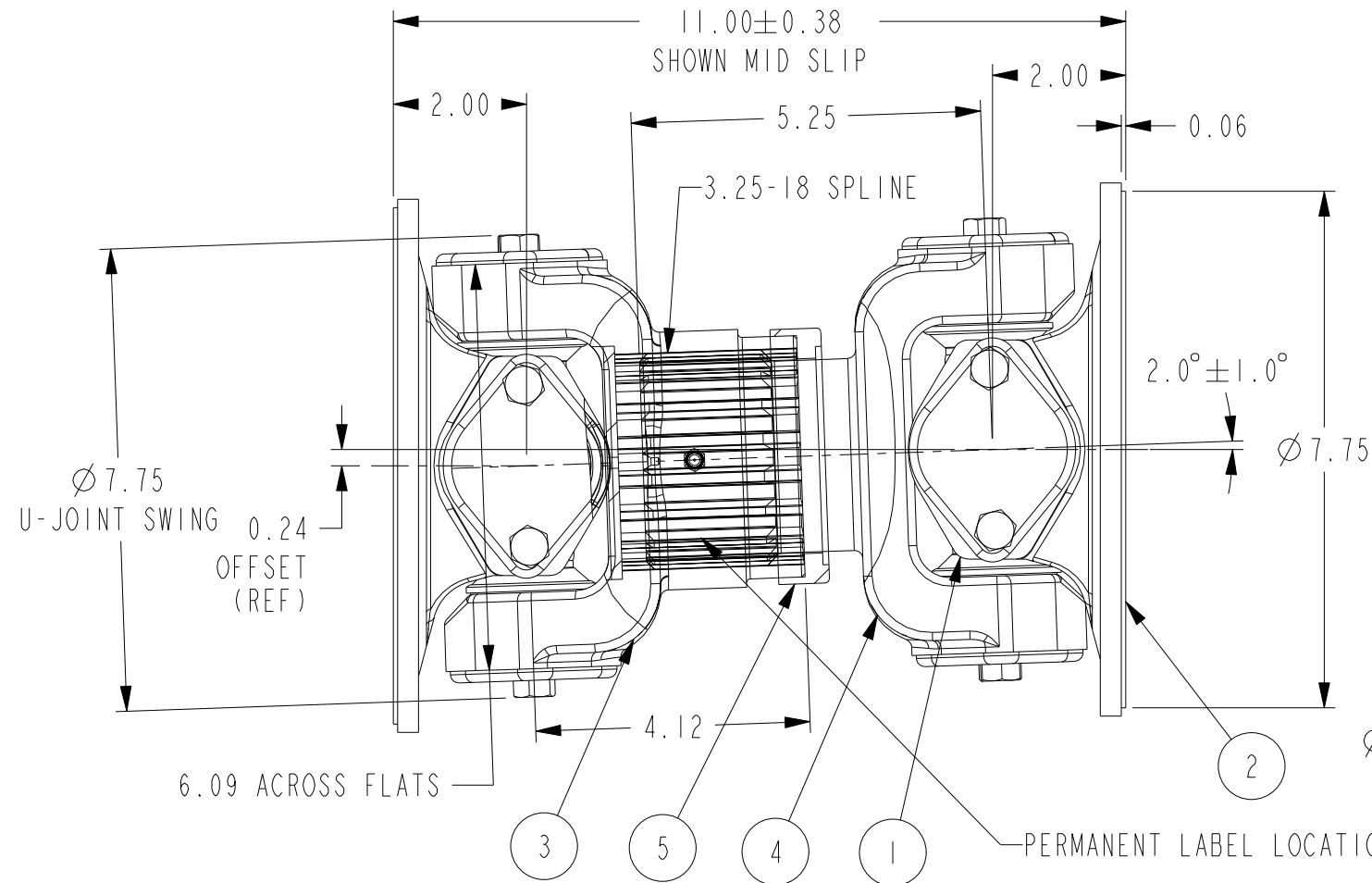
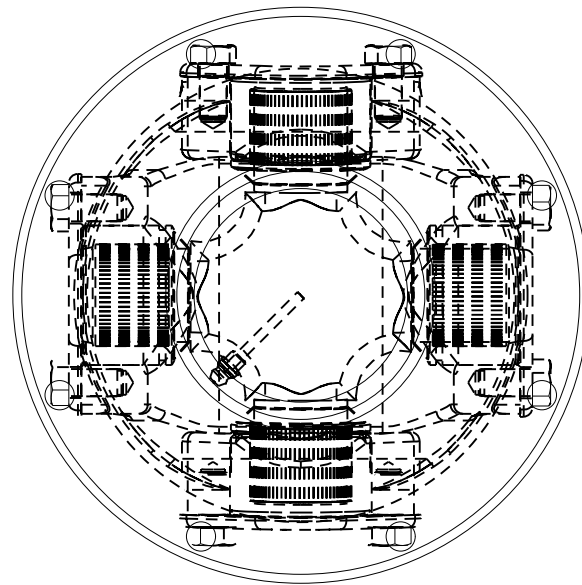
WEIGHT = 54.0 LB

UL LISTED VENDOR P/N 904657-1
 ASSEMBLED AND BALANCED
 P/N: 311928-001 (NO SERVICEABLE PARTS)

BOLT KIT:
 P/N 300-1007 (THRU HOLE)
 P/N 300-1008 (TAPPED HOLE)

UL LISTED RPM	UL LISTED TORQUE
1470	1200
1760	1200
2100	1200
2300	1200

ITEM	P/N	DESCRIPTION	QTY
1	5-280X	U-JOINT	2
2	6-2-769	FLANGE YOKE	2
3	6-3-1661KX	SLIP YOKE	1
4	6-82-341	STUB YOKE	1
5	D6E	DUST CAP	1



SCALE 0.250

CFP#14346 LABEL PROVIDED WITH:
 MFG-P/N-DATE CODE, CHART
 VALUES, AND SERIAL NUMBER
 (APPLIED BY SHAFT VENDOR)

Cummins Fire Power logo and UL LISTED 40WU FLEXIBLE CONNECTING SHAFT logo.

TORQUE AT MIN SPEED	XXXX FT/LB AT XXXX RPM
TORQUE AT MAX SPEED	XXXX FT/LB AT XXXX RPM

P/N MFG-P/N-DATE CODE

SCALE 2.000

<small>This document contains confidential and trade secret information, is the property of Cummins Fire Power LLC and is given to the receiver in confidence. The receiver, by receiving and retaining of the document accepts the document in confidence and agrees that, except as authorized in writing by Cummins Fire Power, it will (1) not use the document or any copy thereof or the confidential or trade secret information therein, (2) not copy the document, (3) not disclose to others either the document or the confidential or trade secret information therein, and (4) upon completion of the need to retain the document, or upon demand, return the document, all copies thereof, and all material copied therefrom. COPYRIGHT Cummins Fire Power LLC</small>			CUMMINS FIRE POWER LLC CORPORATE OFFICE 1600 BUERKLE ROAD WHITE BEAR LAKE, MN WWW.CUMMINSFIREPOWER.COM	CUSTOM DESIGN AND UPFIT CENTER 875 LAWRENCE DRIVE DEPERE, WISCONSIN
UNLESS OTHERWISE SPECIFIED ALL DIMENSION TOLERANCES ARE				
ANGULAR DIMENSIONS ± 1°	IMPERIAL UNITS	METRIC UNITS	DRIVESHAFT, 1710 SHORT COUPLED UL LISTED	
THIRD ANGLE PROJECTION	<small>MACHINE TOLERANCES .XX ± 0.010 .XX ± 0.005</small>	<small>MACHINE TOLERANCES .XX ± 0.2 .XX ± 0.1</small>	DWG UNITS: SCALE: 0.375 EST WEIGHT: 54.000	DRAWN BY: GVD PRO-ENGINEER SHEET 1 OF 1
<small>FORM TOLERANCES .XX ± 0.010 .XX ± 0.015</small>	<small>FORM TOLERANCES .XX ± 0.8 .XX ± 0.4</small>	<small>FORM TOLERANCES .XX ± 0.8 .XX ± 0.4</small>	DATE: 19AUG2008 REF DRWG: 13421	

REV	ENF	DESCRIPTION OF REVISION	REV BY	DATE
B	2009-090	ADDED DIMS. REV CHART	DAVE N	25MAR2009
A	2009-006	REV PER TITLE BLOCK. ADDED P/N	DAVE N	03FEB2009