

MASS ELASTIC DATA
 STIFFNESS K = 0.023 DEG/100 LBFT
 INERTIA $W_r^2 = 3.05 \text{ LBxFT}^2$

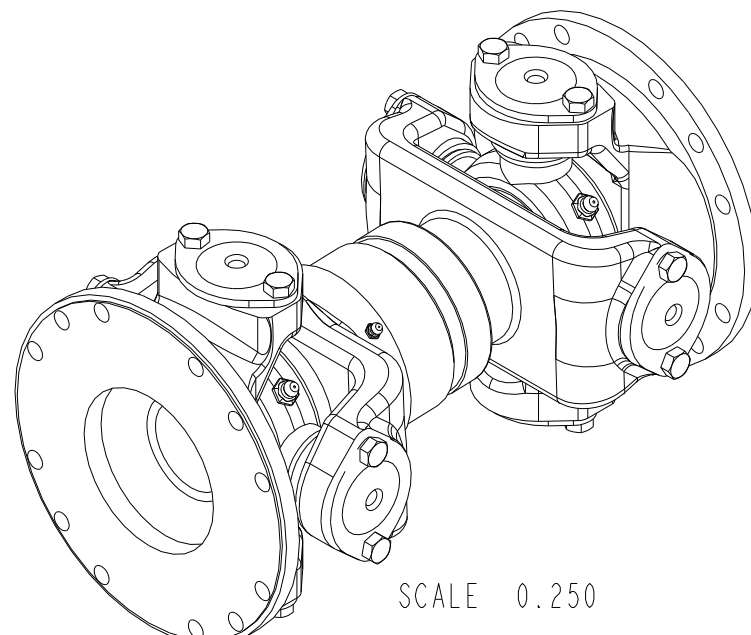
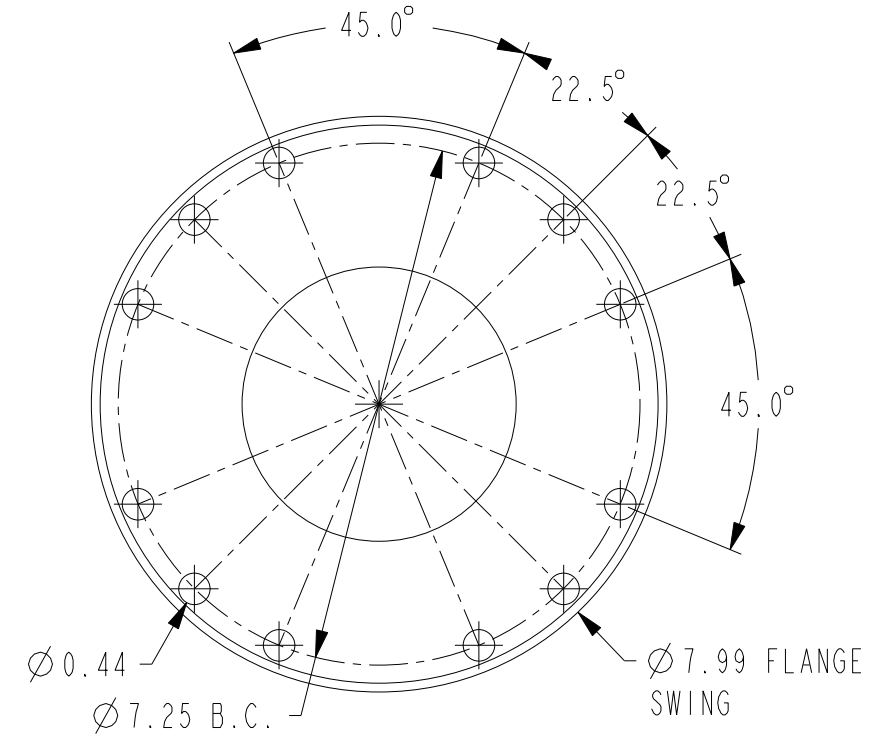
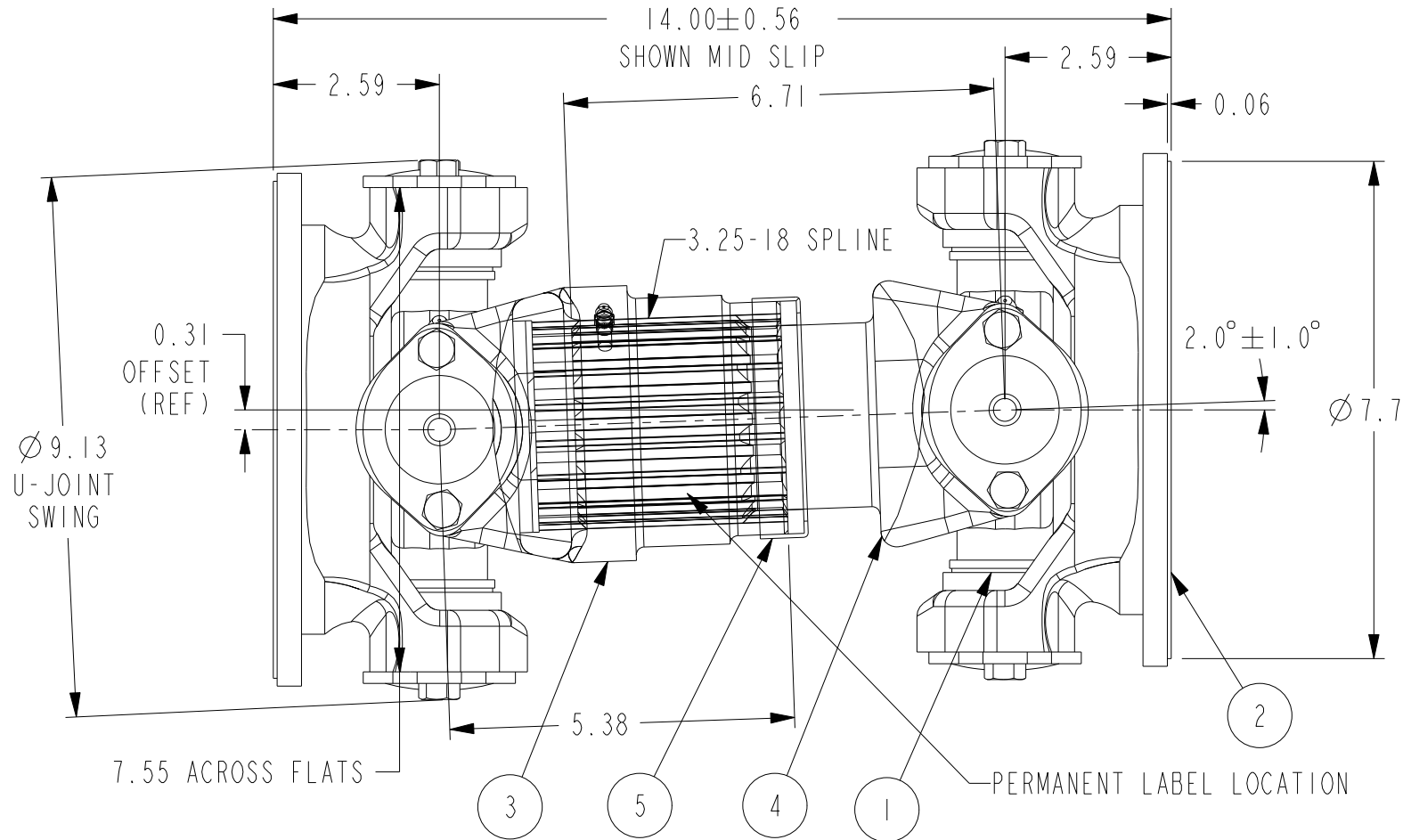
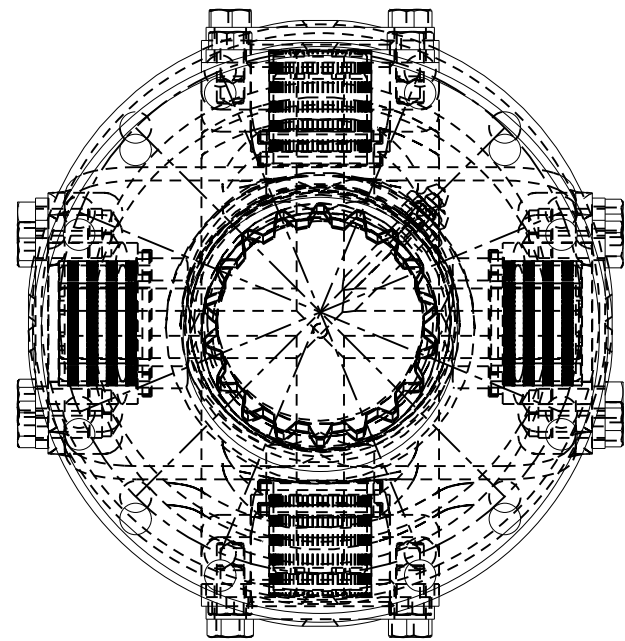
WEIGHT = 78.0 LB

UL LISTED VENDOR P/N 906052-1
 ASSEMBLED AND BALANCED
 P/N: 311929-001 (NO SERVICEABLE PARTS)

BOLT KIT:
 P/N 300-1009 (THRU HOLE)
 P/N 300-1010 (TAPPED HOLE)

UL LISTED RPM	UL LISTED TORQUE
1470	1525
1760	1525
2100	1525

ITEM	P/N	DESCRIPTION	QTY
1	5-281X	U-JOINT	2
2	6.5-2-359	FLANGE YOKE	2
3	6.5-3-1451KX	SLIP YOKE	1
4	6.5-82-511-1	STUB YOKE	1
5	D6E	DUST CAP	1



SCALE 0.250

XXXX = VALUES PER CHART
 (4) PLACES

CFP#14346 LABEL PROVIDED WITH:
 MFG-P/N-DATE CODE, MAX
 VALUE, AND SERIAL NUMBER
 (APPLIED BY SHAFT VENDOR)

TORQUE AT MIN SPEED	
XXXX FT/LB AT	XXXX RPM
TORQUE AT MAX SPEED	
XXXX FT/LB AT	XXXX RPM

40WU
FLEXIBLE CONNECTING SHAFT

MFG-P/N-DATE CODE
 SCALE 2.000

This document contains confidential and trade secret information, is the property of Cummins Fire Power LLC and is given to the receiver in confidence. The receiver, by receiving and retaining of the document accepts the document in confidence and agrees that, except as authorized in writing by Cummins Fire Power, it will (1) not use the document or any copy thereof or the confidential or trade secret information therein, (2) not copy the document, (3) not disclose to others either the document or the confidential or trade secret information therein, and (4) upon completion of the need to retain the document, or upon demand, return the document, all copies thereof, and all material copied therefrom. COPYRIGHT Cummins Fire Power LLC				CUMMINS FIRE POWER LLC CORPORATE OFFICE 1600 BUERKLE ROAD WHITE BEAR LAKE, MN WWW.CUMMINSFIREPOWER.COM	CUSTOM DESIGN AND UPFIT CENTER 875 LAWRENCE DRIVE DEPERE, WISCONSIN
UNLESS OTHERWISE SPECIFIED ALL DIMENSION TOLERANCES ARE					
ANGULAR DIMENSIONS ± 1°	IMPERIAL UNITS	METRIC UNITS	DRIVESHAFT, 1810, SHORT COUPLED UL LISTED FOR FIREPUMP SERVICE		
THIRD ANGLE PROJECTION	MACHINE TOLERANCES XX ± 0.010 XX ± 0.005 FOU TOLERANCES XX ± 0.020 XX ± 0.015 FAB TOLERANCES XX ± 0.080 XXX ± 0.030	MACHINE TOLERANCES XX ± 0.2 XX ± 0.1 FOU TOLERANCES XX ± 0.8 XX ± 0.4 FAB TOLERANCES XX ± 1.5 XXX ± 0.8			
DWG UNITS: SCALE: 0.375			DRAWN BY: GVD PRO-ENGINEER		DATE: 19AUG2008
EST WEIGHT: 78.000			SHEET 1 OF 1		REF DRWG: 13422

REV	ENF	DESCRIPTION OF REVISION	REV BY	DATE
B	2009-090	ADDED DIMS. REV CHART	DAVE N	25MAR2009
A	2009-006	REV PER TITLE BLOCK. ADDED P/N	DAVE N	03FEB2009