

MASS ELASTIC DATA
 STIFFNESS K = 0.0196 DEG/100 LBFT
 INERTIA $W_r^2 = 4.744 \text{ LBxFT}^2$

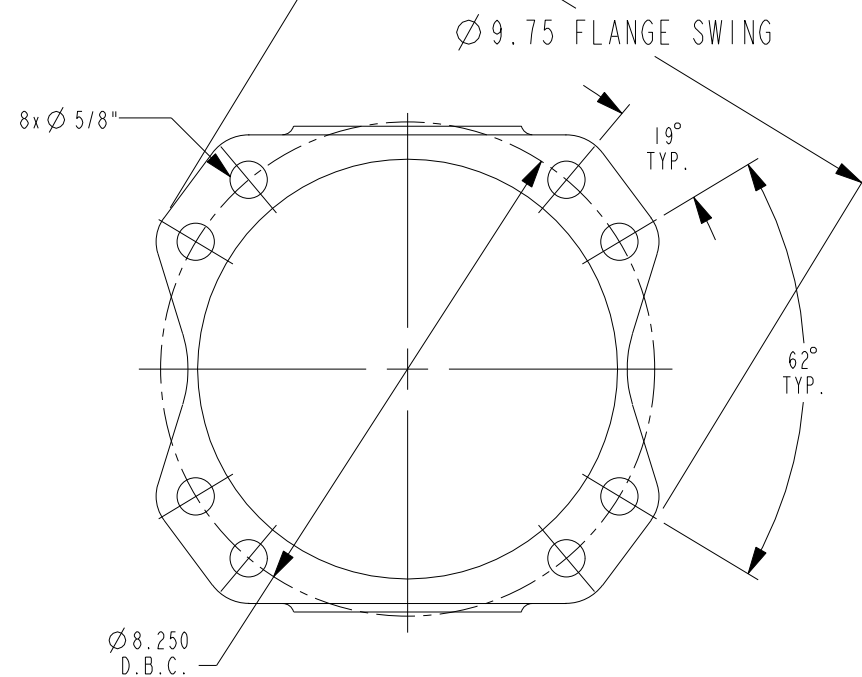
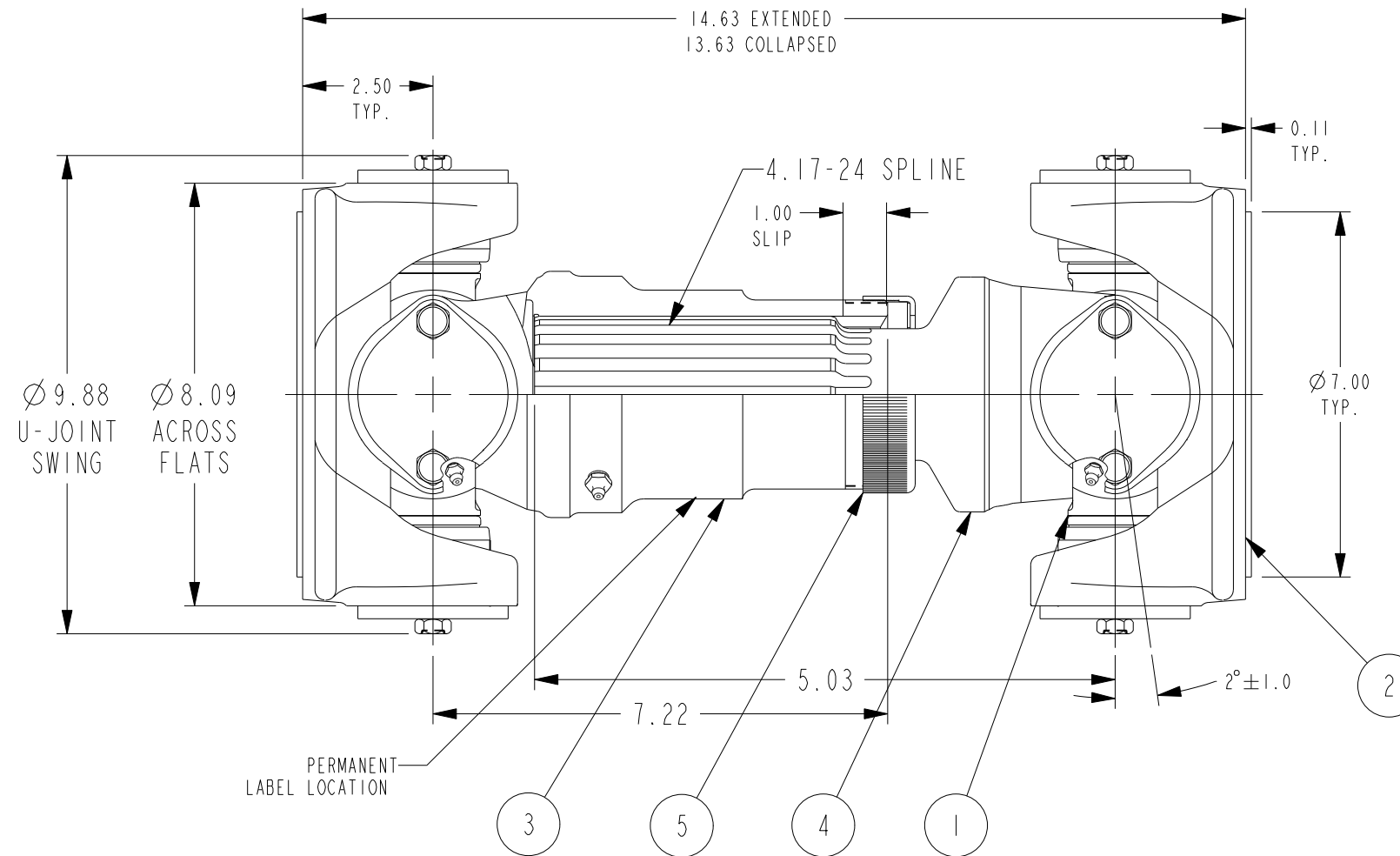
WEIGHT = 142 LB

UL LISTED VENDOR P/N TBD
 ASSEMBLED AND BALANCED
 P/N: 311930-001 (NO SERVICEABLE PARTS)

BOLT KIT:
 P/N 300-1011 (THRU HOLE)
 P/N 300-1012 (TAPPED HOLE)

UL LISTED RPM	UL LISTED TORQUE
1470	2162
1760	2048
1800	2034

ITEM	P/N	DESCRIPTION	QTY
1	5-308X	U-JOINT	2
2	8-2-119	FLANGE YOKE	2
3	8-3-431KX	SLIP YOKE	1
4	8-82-171-1	STUB YOKE	1
5	D9A	DUST CAP	1



CFP#14346 LABEL PROVIDED WITH:
 MFG-P/N-DATE CODE, CHART
 VALUES, AND SERIAL NUMBER
 (APPLIED BY SHAFT VENDOR)

XXXX = VALUES PER CHART
 (4) PLACES

Cummins Fire Power	TORQUE AT MIN SPEED	UL LISTED
	XXXX FT/LB AT XXXX RPM	
Cummins Fire Power	TORQUE AT MAX SPEED	40WU
	XXXX FT/LB AT XXXX RPM	

P/N _____ MFG-P/N-DATE CODE _____

SCALE 2.000

This document contains confidential and trade secret information, is the property of Cummins Fire Power LLC and is given to the receiver in confidence. The receiver, by receiving and retaining all the document accepts the document in confidence and agrees that, except as authorized in writing by Cummins Fire Power, it will (1) not use the document or any copy thereof for confidential or trade secret information therein, (2) not copy the document, (3) not disclose to others either the document or the confidential or trade secret information therein, and (4) upon completion of the need to retain the document, or upon demand, return the document, all copies thereof, and all material copied therefrom. COPYRIGHT Cummins Fire Power LLC

UNLESS OTHERWISE SPECIFIED ALL DIMENSION TOLERANCES ARE

ANGULAR DIMENSIONS ± 1°	IMPERIAL UNITS	METRIC UNITS
THIRD ANGLE PROJECTION	MACHINE TOLERANCES .XX ± 0.010 .XX ± 0.005	MACHINE TOLERANCES .XX ± 0.2
	FORM TOLERANCES .XX ± 0.010 .XX ± 0.015	FORM TOLERANCES .XX ± 0.8 .XX ± 0.4
	FAB TOLERANCES .XX ± 0.080 .XX ± 0.030	FAB TOLERANCES .XX ± 1.5 .XX ± 0.8

	CUMMINS FIRE POWER LLC CORPORATE OFFICE 1600 BUERKLE ROAD WHITE BEAR LAKE, MN WWW.CUMMINSFIREPOWER.COM	CUSTOM DESIGN AND UPFIT CENTER 875 LAWRENCE DRIVE DEPERE, WISCONSIN
	DRIVESHAFT, 1880, SHORT COUPLED UL LISTED FOR FIREPUMP SERVICE	
DWG UNITS: IN/LBS/S	DRAWN BY: GVD PRO-ENGINEER	DATE: 19AUG2008 REF DRWG:
SCALE: 1.000 EST WEIGHT: 0.000	SHEET 1 OF 1	DRAWING NO: 13423

REV	ENF	DESCRIPTION OF REVISION	REV BY	DATE
B	2009-090	ADDED DIMS. REV CHART	DAVE N	25MAR2009
A	2009-006	REV PER TILTE BLOCK. ADDED P/N	DAVE N	03FEB2009