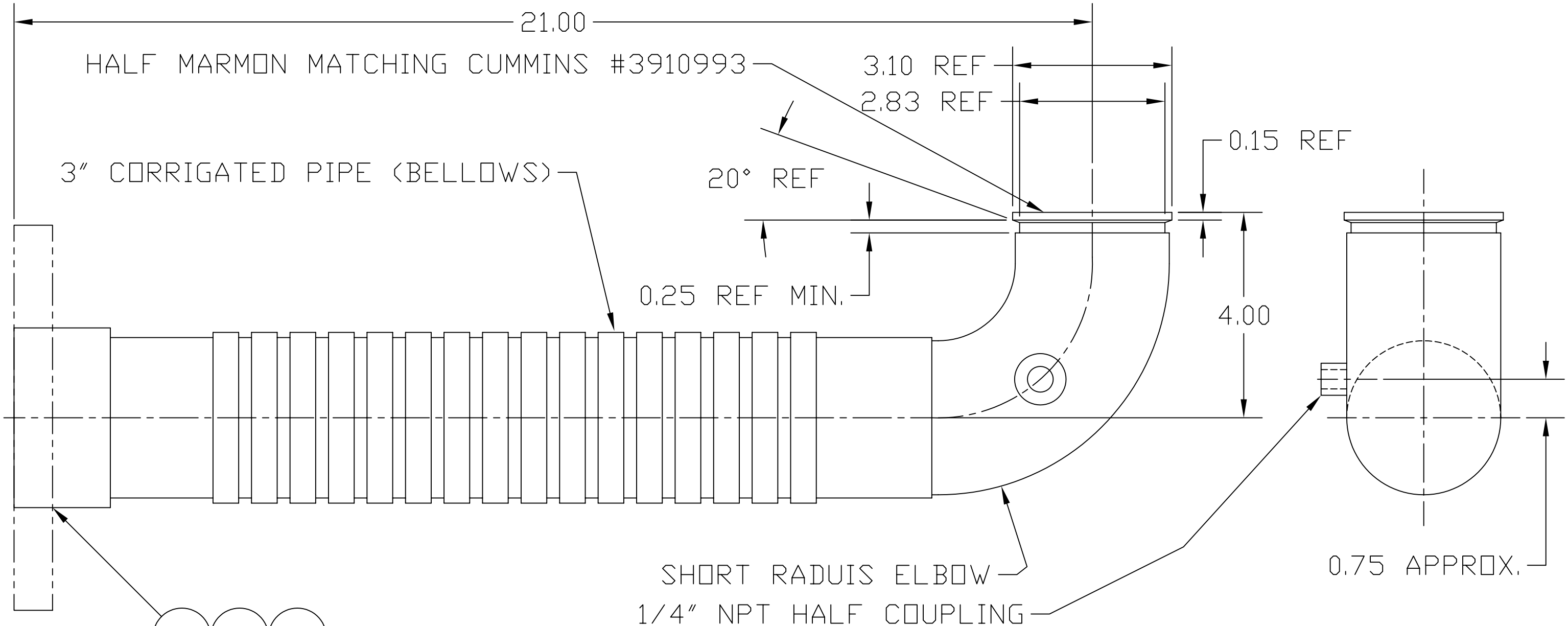


ITEM	QTY	DESCRIPTION	MATERIAL
01	A/R	3" MALE NPT	
02	A/R	3" I.D. CUFF	
03	A/R	3" 125# ANSI FLANGE	



- 01
- 02
- 03


REV	DESCRIPTION OF REVISION	BY	DATE
C1	REV PER TITLE BLOCK	DAVE N	21JUN2005
C	ADDED HALF COUPLING	DAVE N	21JAN2005
B	REWORKED BOM TO TABULATE END OPTIONS	DAVE N	18NOV2004
A	ITEM 2 WAS FLEX	CMC	18MAY2004

ALL RIGHTS TO MANUFACTURE, COPY OR DISPOSE OF THIS DRAWING OR ITS CONTENTS ARE RESERVED UNLESS OTHERWISE SPECIFIED IN WRITING BY CUMMINS NPOWER, LLC

UNLESS OTHERWISE NOTED
ALL DIMENSIONS ARE IN INCHES

APPLY MACHINE TOLERANCES
.X = ± 0.06
.XX = ± 0.010
.XXX = ± 0.001

APPLY WELDED TOLERANCES
.X = ± 0.25
.XX = ± 0.12
.XXX = ± 0.06



Cummins Fire Power

CUMMINS NPOWER
CORPORATE OFFICE
1600 BUERKLE ROAD
WHITE BEAR LAKE, MN
WWW.NPOWER.CUMMINS.COM

CUMMINS FIRE POWER
DESIGN CENTER
875 LAWRENCE DRIVE
DEPERE, WISCONSIN
WWW.CUMMINSFIREPOWER.COM

DWG SCALE: 1/2	DRAWN BY: DAVE N	DATE: 09MAR2004
PLOT SCALE:	APPD BY:	DATE:
DESCRIPTION EXHAUST, 90°, HALF MARMON TABULATED		
REFERENCE: FIREPUMP, 3" TURBO OUTLET		DRAWING NUMBER: 8550C