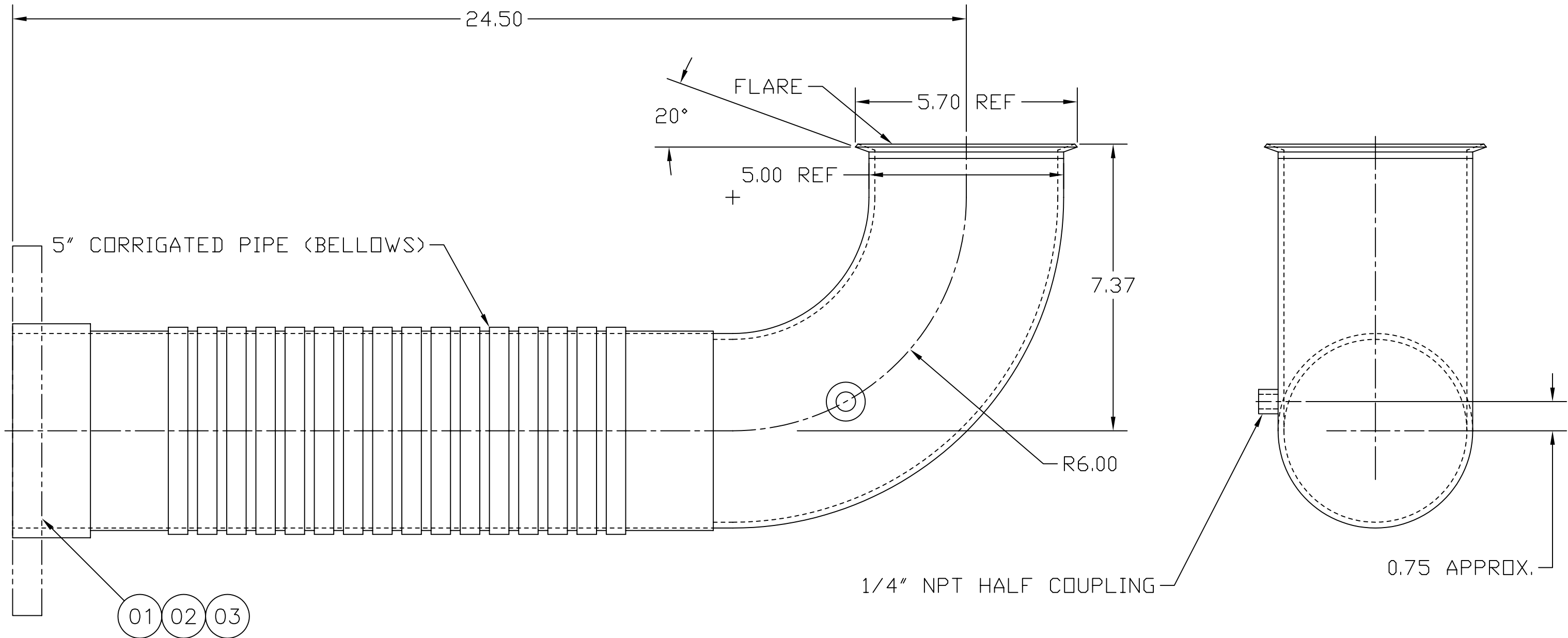


ITEM	QTY	DESCRIPTION	MATERIAL
01	A/R	5" MALE NPT	
02	A/R	5" I.D. CUFF	
03	A/R	5" 125# ANSI FLANGE	



REV	DESCRIPTION OF REVISION	BY	DATE
B1	REV PER TITLE BLOCK	DAVE N	21JUN2005
B	ADDED HALF COUPLING	DAVE N	21JAN2005
A	REWORKED BOM TO TABULATE END OPTIONS	DAVE N	18NOV2004

ALL RIGHTS TO MANUFACTURE, COPY OR DISPOSE OF THIS DRAWING OR ITS CONTENTS ARE RESERVED UNLESS OTHERWISE SPECIFIED IN WRITING BY CUMMINS NPOWER, LLC

UNLESS OTHERWISE NOTED
ALL DIMENSIONS ARE IN INCHES

APPLY MACHINE TOLERANCES
.X = ± 0.06
.XX = ± 0.010
.XXX = ± 0.001

APPLY WELDED TOLERANCES
.X = ± 0.25
.XX = ± 0.12
.XXX = ± 0.06

	CUMMINS NPOWER CORPORATE OFFICE 1600 BUERKLE ROAD WHITE BEAR LAKE, MN WWW.NPOWER.CUMMINS.COM		CUMMINS FIRE POWER DESIGN CENTER 875 LAWRENCE DRIVE DEPERE, WISCONSIN WWW.CUMMINSFIREPOWER.COM	
	DWG SCALE: 3/8	DRAWN BY: DAVE N	DATE: 23JUN2004	
PLOT SCALE:		APPD BY:	DATE:	
DESCRIPTION EXHAUST, 90°, HALF MARMON X CUFF				
REFERENCE: FIREPUMP, 5" TURBO OUTLET			DRAWING NUMBER: 9514B	