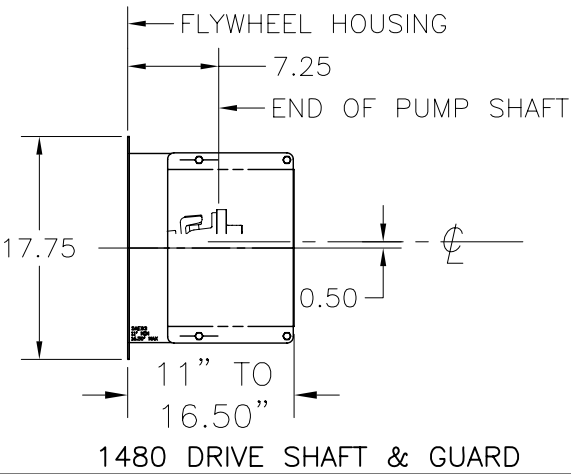
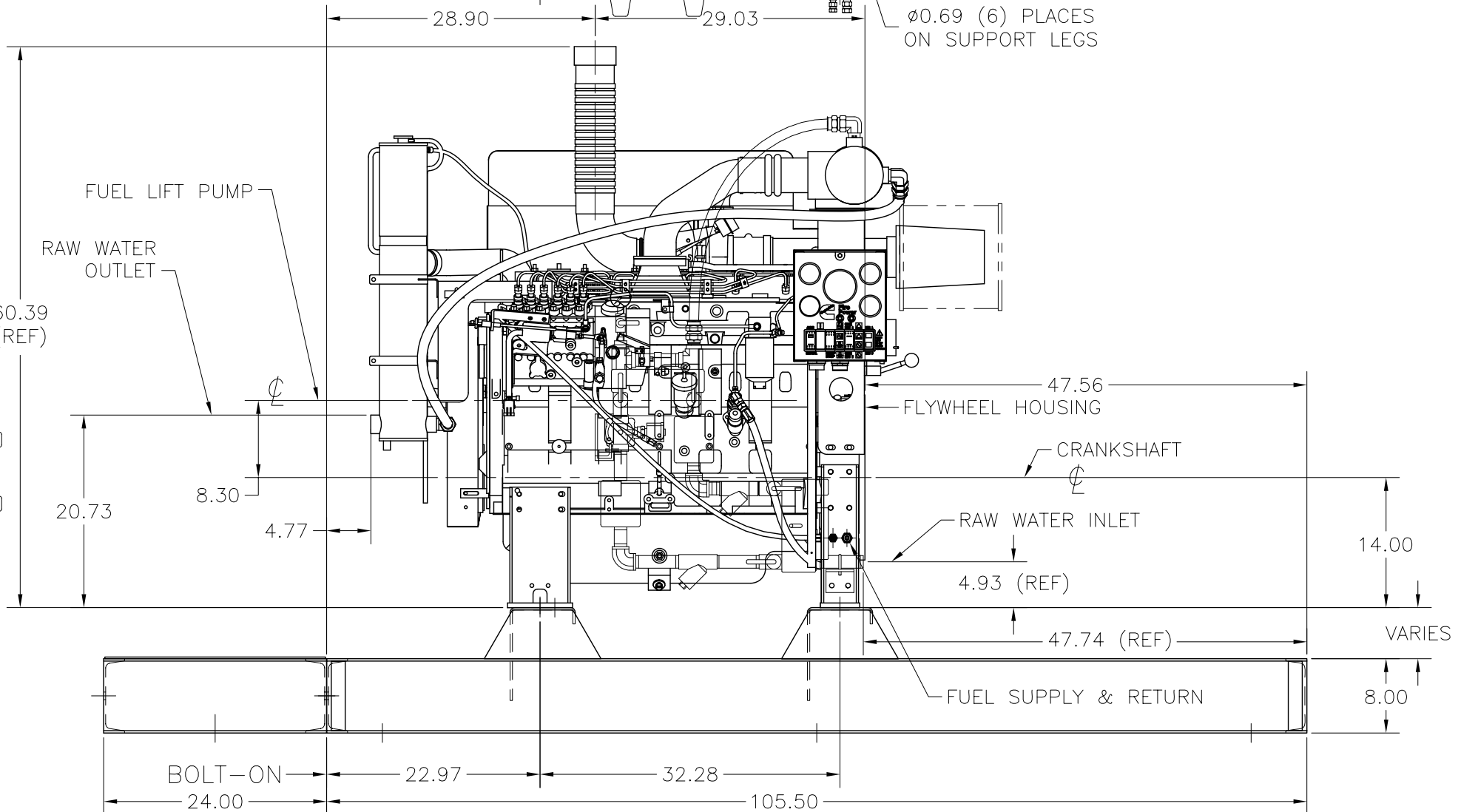
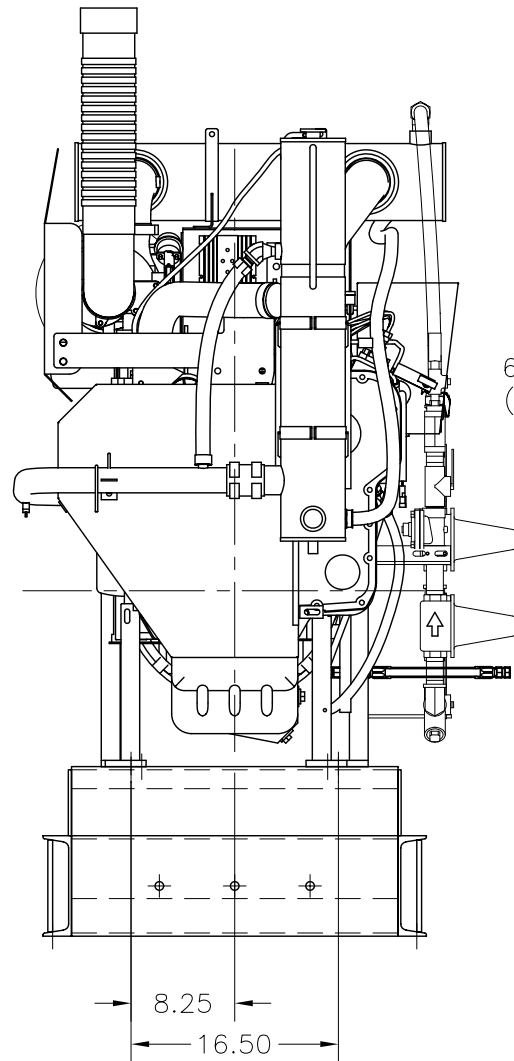
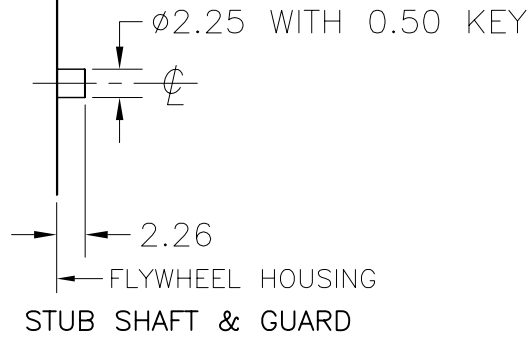
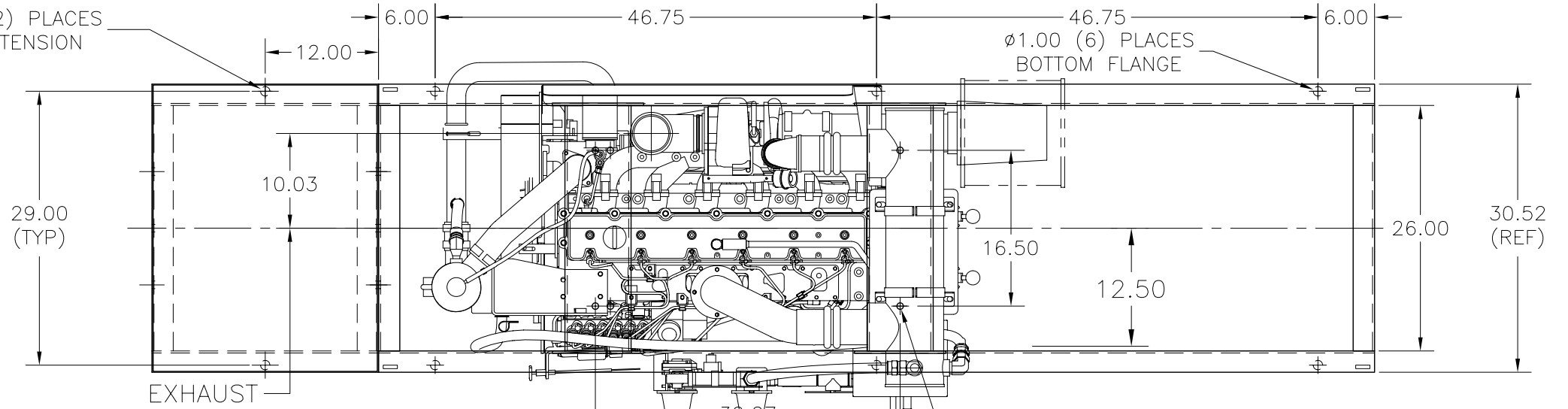


SAE #3	FLYWHEEL HOUSING
3/8" NPT	FUEL SUPPLY
1/4" NPT	FUEL RETURN
1" NPT	RAW WATER SUPPLY
1-1/4" NPT	RAW WATER RETURN
115v. PLUG	COOLANT HEATER
4" DIA.	EXHAUST CONNECTION

Ø1.00 (2) PLACES
ON EXTENSION



- NOTES**
- 1) DETAILS REMOVED FOR CLARITY
 - 2) OPTIONAL COMPONENTS SHOWN
 - 3) SUBJECT TO CHANGE WITHOUT NOTICE
 - 4) LEG EXTENSION LENGTH DETERMINED BY PUMP SIZE
 - 5) SEE ASSEMBLY DRAWING AND DATA SHEET FOR ADDITIONAL INFORMATION
 - 6) DRIVE SHAFT MUST NOT RUN AT 0° ANGLE

See drawing 11537 for drive-shaft alignment instructions

D	GRAPHICS UPDATE	DAN	12JAN2007
REV	DESCRIPTION OF REVISION	BY	DATE

ALL RIGHTS TO MANUFACTURE, COPY OR DISPOSE OF THIS DRAWING OR ITS CONTENTS ARE RESERVED UNLESS OTHERWISE SPECIFIED IN WRITING BY CUMMINS NPOWER, LLC

UNLESS OTHERWISE NOTED - ALL DIMENSIONS ARE IN INCHES -
APPLY MACHINE TOLERANCES
.X = ± 0.06
.XX = ± 0.010
.XXX = ± 0.001
APPLY WELDED TOLERANCES
.X = ± 0.25
.XX = ± 0.12
.XXX = ± 0.06



CUMMINS NPOWER
CORPORATE OFFICE
1600 BUERKLE ROAD
WHITE BEAR LAKE, MN
WWW.NPOWER.CUMMINS.COM

CUMMINS FIRE POWER
DESIGN CENTER
875 LAWRENCE DRIVE
DEPERE, WISCONSIN
WWW.CUMMINSFIREPOWER.COM

DWG SCALE: 1/16	DRAWN BY: CNP	DATE: NOV2004
PLOT SCALE:	APPD BY:	DATE:
DESCRIPTION GENERAL LAYOUT, FIREPUMP, CFP83-F40		
REFERENCE:	DRAWING NUMBER: CFP83-F40_GEN	