

FOR FIREPUMP MODEL CFP59-F55,
REF DWG 9926 FOR CUMMINS FIREPOWER-
INSTALLED POWER-TO-STOP TIMER RELAY

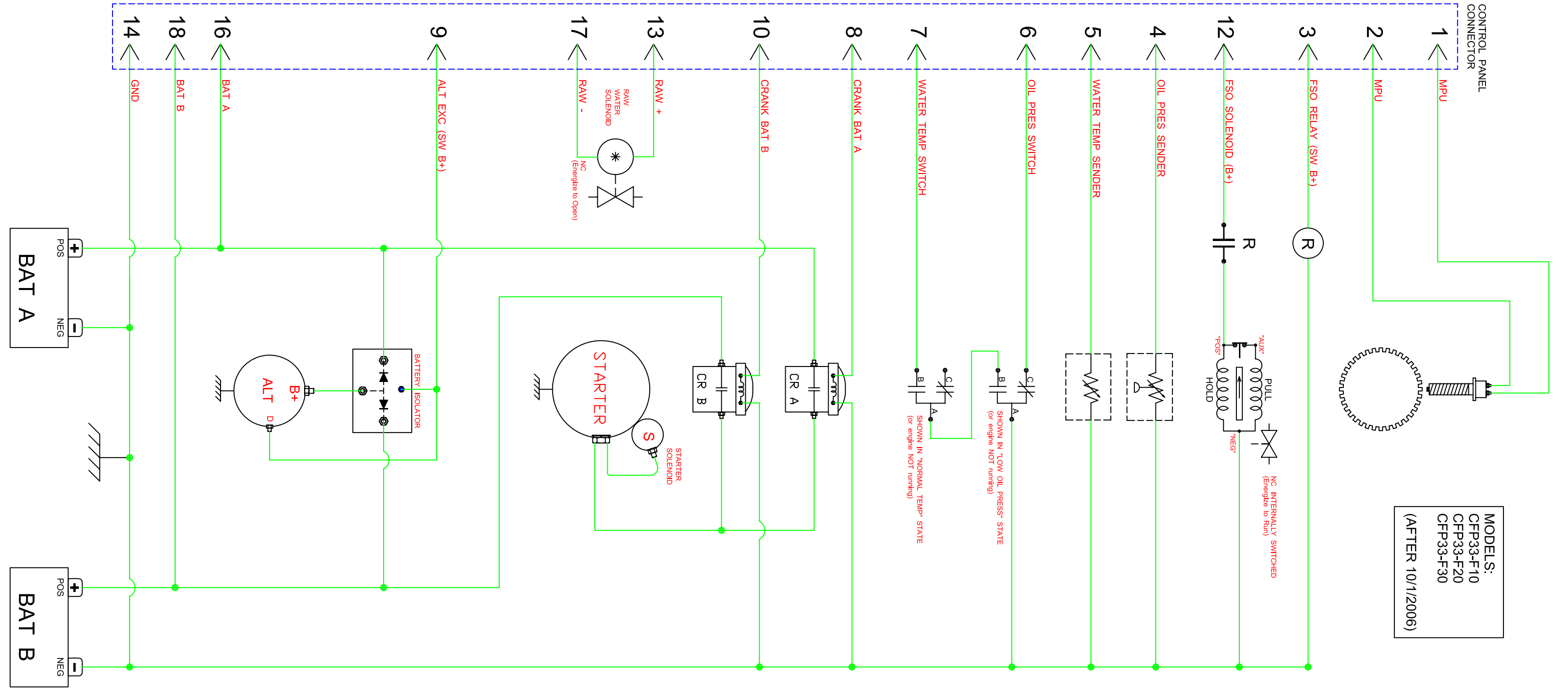
NOTES: WIRE IS 14 AWG UNLESS OTHERWISE NOTED
 RED TEXT = WIRE TAG
 GREEN TEXT = WIRE COLOR
 WIRE COLOR IS WHITE UNLESS OTHERWISE NOTED
 D1 - D4: 6 Amp/400 Vpiv

TERMINAL BLOCK TB	CUSTOMER'S CONNECTIONS Wires shall be 14AWG MIN.
ORANGE AUTO	1 FIRE PUMP CONTROLLER SWITCHED B+
CRANK TERM	2 CRANK TERMINATE SIGNAL
OVERSPEED	3 OVERSPEED ALARM SIGNAL
LOPL	4 LOW OIL PRESSURE ALARM SIGNAL
HVTL	5 HIGH TEMP ALARM SIGNAL
RED/YLW FUSED A+	6 BATTERY 'A' + (BATTERY CHARGER)
7	
RED/DRNG FUSED B+	8 BATTERY 'B' + (BATTERY CHARGER)
AUTO CRANK A	9 CRANK BATTERY 'A'
AUTO CRANK B	10 CRANK BATTERY 'B'
BLACK	11 GROUND
	12
	301
	302
	303

SIGNALS ARE ACTIVE HI (12 VOLTS)
 SIGNALS ARE ACTIVE LOW (GND)

ELECTRONIC ENGINES ONLY
 SEE THIS DWG., SHT 2

E	ADDED SHEETS 3, 4, 5, & 6	RJS	20 MAR 07	CUMMINS FIRE POWER CORPORATE OFFICE 1800 BUERLE ROAD WHITE BEAR LAKE, MN WWW.FIREPOWER.CUMMINS.COM	CUMMINS FIRE POWER DESIGN CENTER 875 LAWRENCE DRIVE DEPERE, WISCONSIN WWW.CUMMINSFIREPOWER.COM
D	PIN 12 WAS PIN B	RJS	19 SEPT 06	DWG SCALE: N/A	DATE: 06_OCT_2005
C	REMOVED 5 AMP CIRCUIT BREAKER	RJS	27 JUNE 06	PLOT SCALE: N/A	APPD BY: --
B	ADDED CONNECTION TO TERM 6 OF SPEED SWITCH	RJS	17 DEC 05	DESCRIPTION SCHEMATIC_CONTROL_PANEL	REFERENCE: FIREPUMP
A	CHANGED WIRE GAUGES; CHG'D TB 1 LABELS	RJS	27OCT05	REV	DRAWING NUMBER 10423E_SHT1
REV	DESCRIPTION OF REVISION	BY	DATE		



MODELS:
 CFP33-F10
 CFP33-F20
 CFP33-F30
 (AFTER 10/1/2006)

<small>ALL RIGHTS TO MANUFACTURE, COPY, OR REPRODUCE THIS DRAWING OR ITS CONTENTS ARE RESERVED BY CLUMMINS FIREPOWER, LLC</small>		Fire Power <small>CLUMMINS FIREPOWER CORPORATION OFFICE 1800 BIRKLE ROAD WHITE BEAR LAKE, MN WWW.CLUMMINSFIREPOWER.COM</small>		<small>CLUMMINS FIRE POWER DESIGN CENTER 878 LAWRENCE DRIVE DEPERE, WISCONSIN WWW.CLUMMINSFIREPOWER.COM</small>	
DWG SCALE: N/A	APPD BY: RJS	DATE: 06_OCT_2005			
PLOT SCALE: N/A	APPD BY: --	DATE: --			
DESCRIPTION ENGINE_SCHEMATIC					
REFERENCE: FIREPUMP					DRAWING NUMBER: 10423E_SHT4

REV	DESCRIPTION OF REVISION	BY	DATE
E	ADDED SHEETS 3, 4, 5, & 6	RJS	20 MAR 07
D	SEE SHT 1 FOR REV CHANGE	RJS	19 SEPT 06
C	REDREW	RJS	3 JULY 06
B	CHG'D WIRING OF K2	RJS	17 DEC 05
A	REF PAGE 1 REV NOTES	RJS	27 OCT 05