

FOR FIREPUMP MODEL CFP59-F55,  
REF DWG 9926 FOR CUMMINS FIREPOWER-  
INSTALLED POWER-TO-STOP TIMER RELAY

TERMINAL BLOCK TB	CUSTOMER'S CONNECTIONS Wires shall be 14AWG MIN.
ORANGE AUTO	1 FIRE PUMP CONTROLLER SWITCHED B+
CRANK TERM	2 CRANK TERMINATE SIGNAL
OVERSPEED	3 OVERSPEED ALARM SIGNAL
LOPL	4 LOW OIL PRESSURE ALARM SIGNAL
HVTL	5 HIGH TEMP ALARM SIGNAL
RED/YLW FUSED A+	6 BATTERY 'A' + (BATTERY CHARGER)
7	
RED/DRNG FUSED B+	8 BATTERY 'B' + (BATTERY CHARGER)
AUTO CRANK A	9 CRANK BATTERY 'A'
AUTO CRANK B	10 CRANK BATTERY 'B'
BLACK	11 GROUND
	12
	301
	302
	303

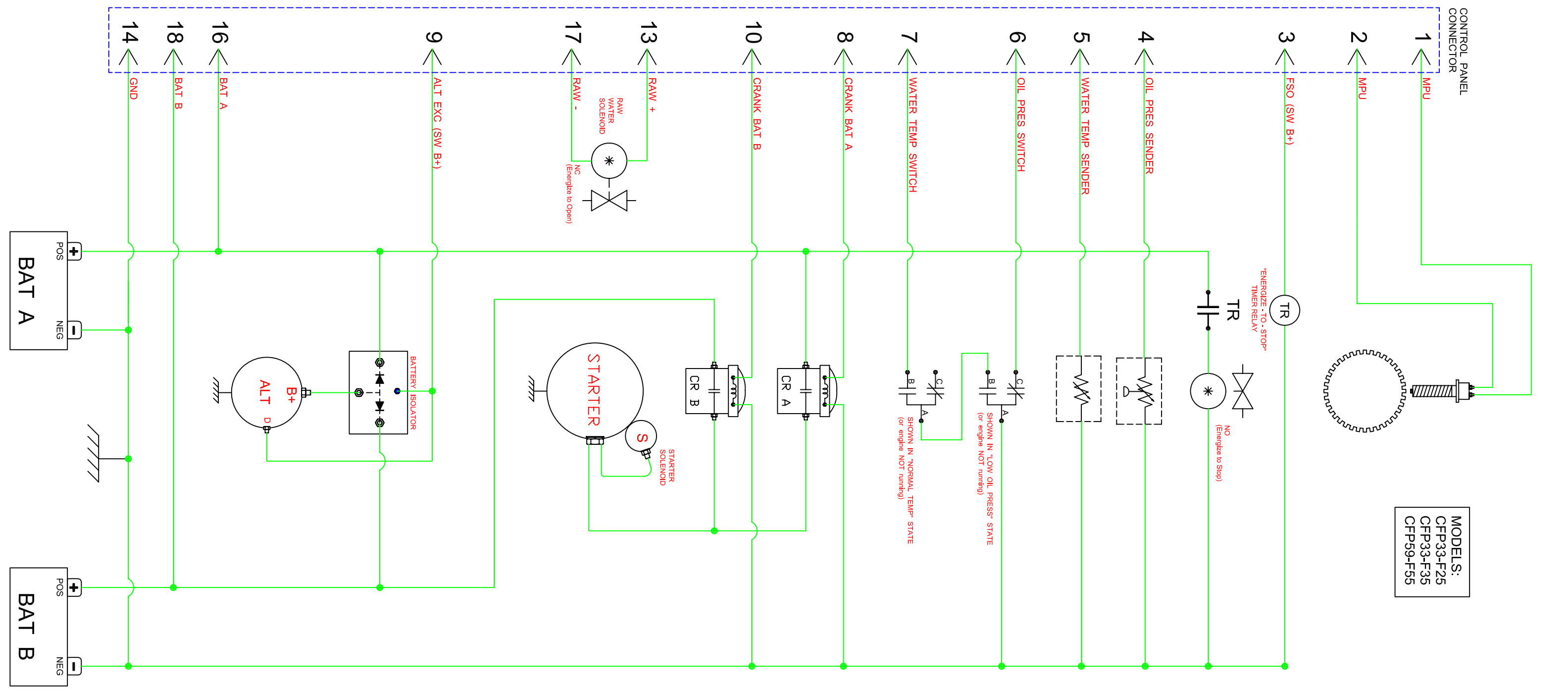
SIGNALS ARE ACTIVE HI (12 VOLTS)  
SIGNALS ARE ACTIVE LOW (GND)

ELECTRONIC ENGINES ONLY  
SEE THIS DWG., SHT 2

**NOTES:** WIRE IS 14 AWG UNLESS OTHERWISE NOTED  
 RED TEXT = WIRE TAG  
 GREEN TEXT = WIRE COLOR  
 WIRE COLOR IS WHITE UNLESS OTHERWISE NOTED  
 D1 - D4: 6 Amp/400 Vpiv

REV	DESCRIPTION OF REVISION	BY	DATE
E	ADDED SHEETS 3, 4, 5, & 6	RJS	20 MAR 07
D	PIN 12 WAS PIN 8	RJS	19 SEPT 06
C	REMOVED 5 AMP CIRCUIT BREAKER	RJS	27 JUNE 06
B	ADDED CONNECTION TO TERM 6 OF SPEED SWITCH	RJS	17 DEC 05
A	CHANGED WIRE GAUGES; CHG'D TB 1 LABELS	RJS	27OCT05

<small>ALL RIGHTS TO MANUFACTURE, COPY OR REPRODUCE THIS DRAWING OR ITS CONTENTS ARE RESERVED EXCEPT AS NOTED BY CUMMINS INC. © 2007</small>		<b>CUMMINS NP POWER</b> CORPORATE OFFICE 1800 BIERKLE ROAD WHITE BEAR LAKE, MN WWW.CUMMINSFIREPOWER.COM	<b>CUMMINS FIRE POWER</b> DESIGN CENTER 875 LAWRENCE DRIVE DEPERE, WISCONSIN WWW.CUMMINSFIREPOWER.COM
<small>UNLESS OTHERWISE NOTED ALL DIMENSIONS ARE IN INCHES          DIMENSIONS IN PARENTHESES ARE IN MILLIMETERS          1/16" = 1.5875 mm          1/8" = 3.175 mm          1/4" = 6.35 mm          3/8" = 9.525 mm          1/2" = 12.7 mm          5/8" = 15.875 mm          3/4" = 19.05 mm          7/8" = 22.225 mm          1" = 25.4 mm</small>	DWG SCALE: N/A PLOT SCALE: N/A DESCRIPTION: SCHEMATIC, CONTROL PANEL REFERENCE: FIREPUMP	DRAWN BY: RJS APP'D BY: -- DATE: 06_OCT_2005 DATE: --	DRAWING NUMBER: 10423E_SHT1



MODELS:  
CFP33-F25  
CFP33-F35  
CFP59-F55

<small>ALL RIGHTS TO MANUFACTURE, COPY, OR REPRODUCE THIS DRAWING OR ITS CONTENTS OR ANY PART THEREOF ARE RESERVED BY CLUMMINS NPOWER, LLC</small>		<small>CLUMMINS NPOWER CORPORATION OFFICE 1800 BIERKLE ROAD WHITE BEAR LAKE, MN WWW.NPOWER.CLUMMINS.COM</small>		<small>CLUMMINS FIRE POWER DESIGN CENTER 878 LAWRENCE DRIVE DEPERE, WISCONSIN WWW.CLUMMINSFIREPOWER.COM</small>	
E	ADDED SHEETS 3, 4, 5, & 6	RJS	20 MAR 07	DWG SCALE: N/A	DATE: 06_OCT_2005
D	SEE SHT 1 FOR REV CHANGE	RJS	19 SEPT 06	PLOT SCALE: N/A	DATE: --
C	REDREW	RJS	3 JULY 06	APPD BY: RJS	DATE: --
B	CHG'D WIRING OF K2	RJS	17 DEC 05	DESCRIPTION ENGINE_SCHEMATIC	REFERENCE FIREPUMP
A	REF PAGE 1 REV NOTES	RJS	27 OCT 05	DRAWING NUMBER 10423E_SHT5	
REV	DESCRIPTION OF REVISION	BY	DATE		