

LEGEND:
 HWTL HI WATER TEMP LIGHT
 LOPL LO OIL PRESSURE LIGHT
 OSL OVERSPEED LIGHT
 K1 CRANK A RELAY
 K2 CRANK B RELAY
 OPS OIL PRESSURE SENDER
 WTS WATER TEMP SENDER

NOTES: WIRE IS 16AWG UNLESS OTHERWISE NOTED
 RED TEXT = WIRE TAG
 GREEN TEXT = WIRE COLOR
 WIRE COLOR IS WHITE UNLESS OTHERWISE NOTED

HARNESS PLUG "A"
 PINS 1-7, 9, 11, 13, 15, 17, 19 ARE 16AWG SXL WIRE
 PINS 16 & 18 ARE 10AWG SXL WIRE (12 GA CAVITIES)
 PINS 12, 14, 16 & 18 ARE 14AWG SXL WIRE (12 GA CAVITIES)

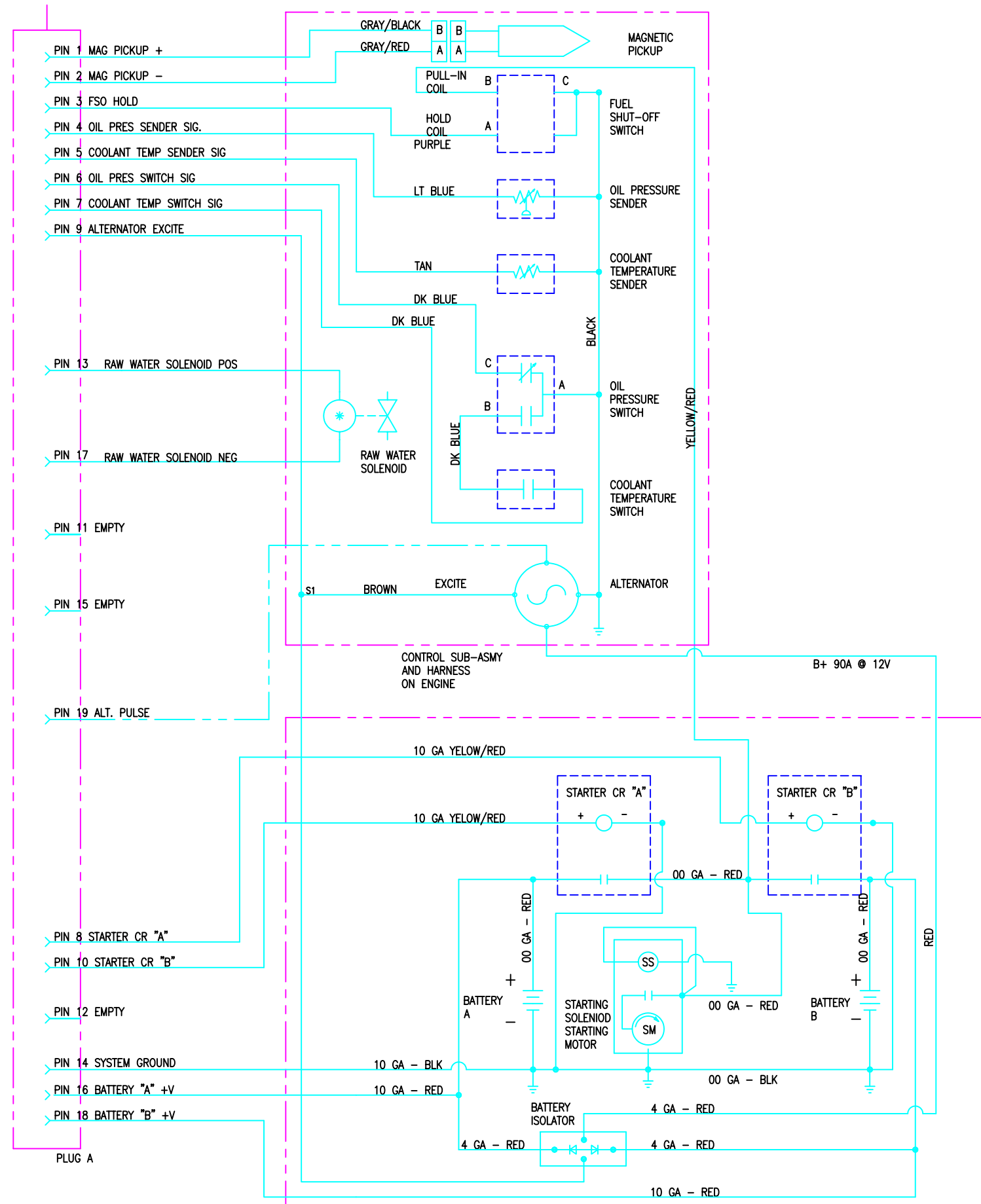
TERMINAL BLOCK TB	CONNECTIONS 1-12 BY PUMP OEM / INSTALL CONTRACTOR WIRES SHALL BE 14AWG STRANDED MIN.
ORANGE AUTO	1 FIRE PUMP CONTROL B+
CRANK TERM	2 CRANK TERMINATE SIGNAL
OVERSPEED	3 OVERSPEED ALARM SIGNAL
LOPL	4 LOW OIL PRESSURE ALARM SIGNAL
HWTL	5 HIGH H ₂ O TEMPERATURE SIGNAL
RED/YLW FUSED A+	6 BATTERY "A" + (BATTERY CHARGER)
7	
RED/ORNG FUSED B+	8 BATTERY "B" + (BATTERY CHARGER)
AUTO CRANK A	9 CRANK BATTERY "A"
AUTO CRANK B	10 CRANK BATTERY "B"
BLACK	11 NEGATIVE
	12
	303
	301
	N/A
	302

SIGNALS ARE ACTIVATED HI (12 VOLTS)
 SIGNALS ARE ACTIVATED LOW (0 VOLTS)

ELECTRONIC ENGINES ONLY
 SEE THIS DWG., SHT 3

<small>ALL RIGHTS TO MANUFACTURING COMPANY RESERVED. NO PARTS OR COMPONENTS ARE TO BE REPRODUCED OR COPIED WITHOUT THE WRITTEN PERMISSION OF CUMMINS FIRE POWER, LLC.</small>		Fire Power <small>CUMMINS FIRE POWER CORPORATION OFFICE DESIGN CENTER 1600 BLAERKLE ROAD WHITE BEAR LAKE, MN 56581 WISCONSIN WWW.FIREPOWER.CUMMINS.COM</small>		<small>CUMMINS FIRE POWER DESIGN CENTER 875 LAWRENCE DRIVE DEFERIE, WISCONSIN WWW.CUMMINSFIREPOWER.COM</small>	
<small>UNLESS OTHERWISE NOTED ALL DIMENSIONS ARE IN INCHES</small> <small>APPLY MACHINING TOLERANCES</small> <small>F = ± 0.005</small> <small>M = ± 0.010</small> <small>XX = ± 0.015</small> <small>APPLY WELDED TOLERANCES</small> <small>F = ± 0.010</small> <small>M = ± 0.015</small> <small>XX = ± 0.020</small>	DWG SCALE: 10 PLOT SCALE:	DRAWN BY: CMC APPD BY:	DATE: 07JUN2004	DESCRIPTION SCHEMATIC, GAUGE BOX	
REFERENCE: FIRE PUMP	DRAWING NUMBER: 8512SHT1_M				

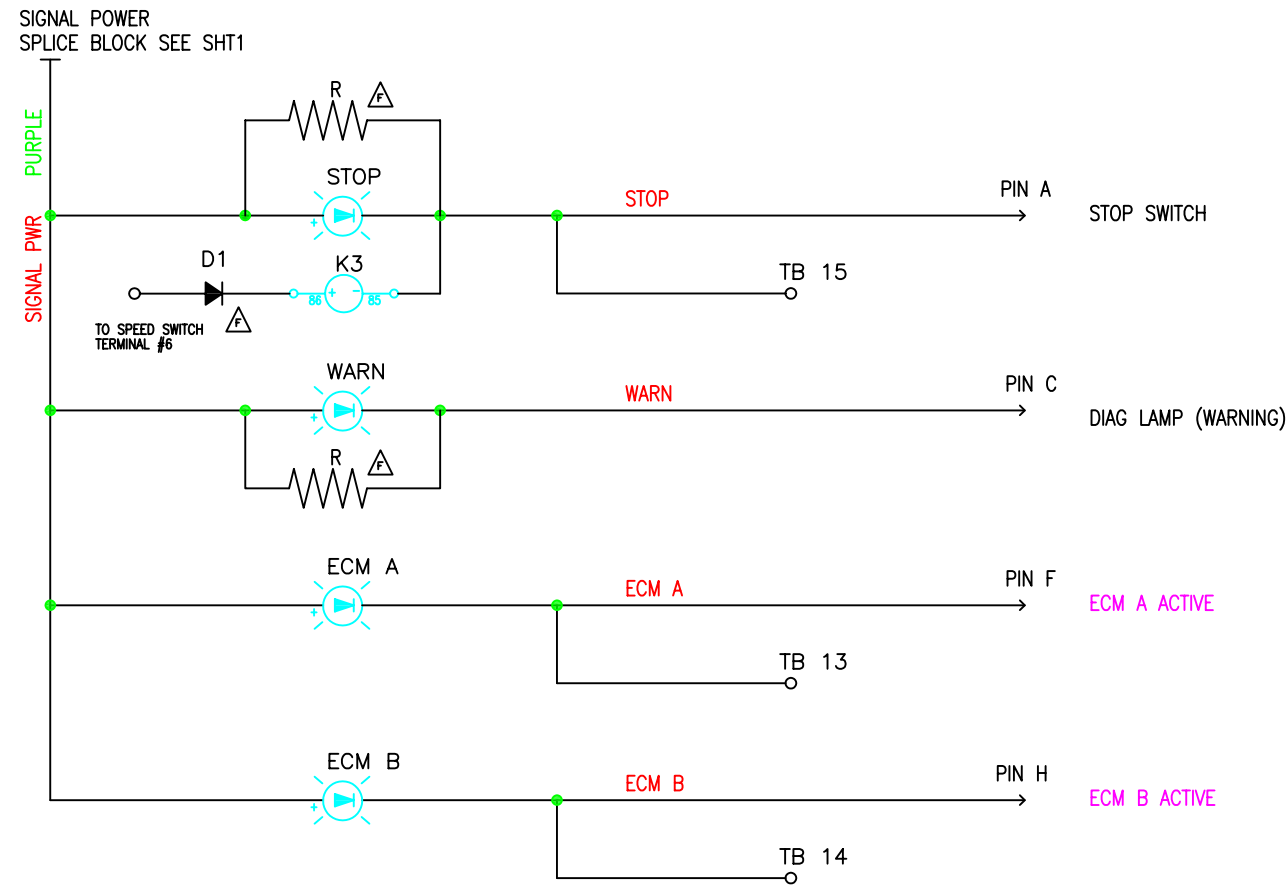
HARNESS PLUG "A"
 PINS 1-7, 9, 11, 13, 15, 17, 19 ARE 16AWG SXL WIRE
 PINS 16 & 18 ARE 10AWG SXL WIRE (12 GA CAVITIES)
 PINS 12, 14, 16 & 18 ARE 14AWG SXL WIRE (12 GA CAVITIES)



<small>ALL RIGHTS TO MANUFACTURE, COPY OR REPRODUCE THIS DRAWING OR ITS CONTENTS ARE RESERVED EXCEPT AS INDICATED BY NOTING BY CUMMINS INCORPORATED, LLC</small> <small>UNLESS OTHERWISE NOTED ALL DIMENSIONS ARE IN INCHES</small> <small>APPLY MACHINING TOLERANCES</small> <small>FIN - 0.008</small> <small>3X - 0.010</small> <small>2X - 0.012</small> <small>APPLY WELD TOLERANCES</small> <small>W - 0.010</small> <small>3X - 0.012</small> <small>2X - 0.015</small>	Fire Power <small>CUMMINS NP POWER CORPORATE OFFICE 1800 BURNLEY ROAD WHITE BEAR LAKE, MN 56581 WWW.NPPOWER.CUMMINS.COM</small> <small>CUMMINS FIRE POWER DESIGN CENTER 875 LAWRENCE DRIVE DEPERE, WISCONSIN WWW.CUMMINSFIREPOWER.COM</small>
	<small>DWG SCALE: 10</small> <small>PLOT SCALE:</small> <small>DESCRIPTION: SCHEMATIC, ENGINE WIRING</small> <small>REFERENCE: FIRE PUMP</small>

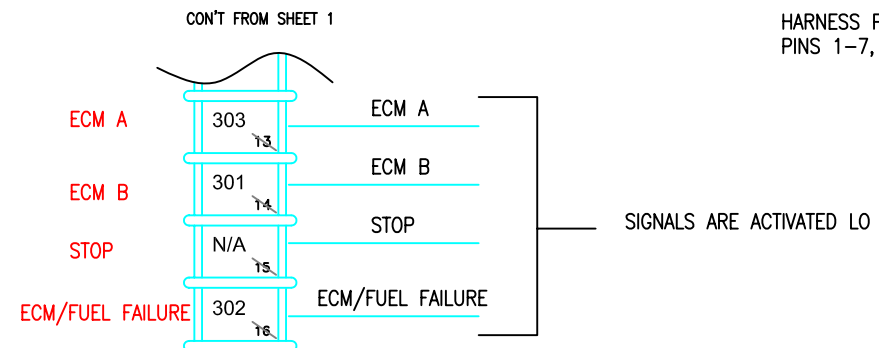
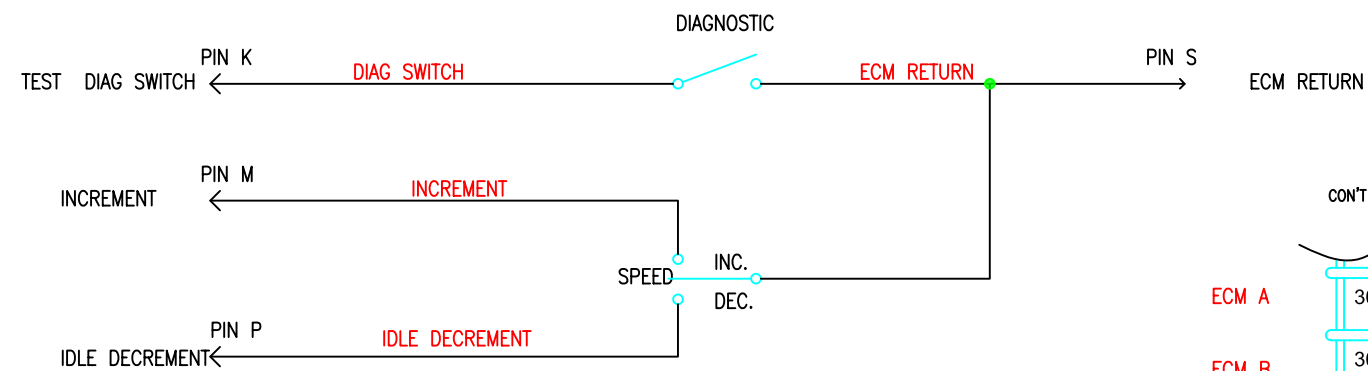
REV	DESCRIPTION OF REVISION	BY	DATE
M	CONSOLIDATE ALL PAGES TO REV M	RJS	24 FEB 06

ELECTRONIC ENGINES ONLY



LEGEND:
 K3 ECM/FUEL FAIL RELAY
 R RESISTOR

NOTES: WIRE IS 16AWG UNLESS OTHERWISE NOTED
 RED TEXT = WIRE TAG
 GREEN TEXT = WIRE COLOR
 WIRE COLOR IS WHITE UNLESS OTHERWISE NOTED
 Δ RESISTOR VALUE = 1.5k OHMS 1/2 WATT
 Δ D1 VALUE = 6 AMPS/100V MIN



HARNESS PLUG "B"
 PINS 1-7, 9, 11, 13, 15, 17, 19 ARE 16AWG SXL WIRE

M	CONSOLIDATE ALL PAGES TO REV M	RJS	24 FEB 08
REV	DESCRIPTION OF REVISION	BY	DATE

<small>ALL RIGHTS TO MANUFACTURE, COPY OR REPRODUCE OF THIS DRAWING OR ITS CONTENTS ARE RESERVED UNLESS OTHERWISE SPECIFIED BY WRITING BY CUMMINS INCORPORATED.</small> <small>UNLESS OTHERWISE NOTED ALL DIMENSIONS ARE IN INCHES</small> <small>APPLY MACHINING TOLERANCES</small> <small>F1 = ± 0.008</small> <small>F2 = ± 0.010</small> <small>F3 = ± 0.012</small> <small>APPLY WELDING TOLERANCES</small> <small>W1 = ± 0.010</small> <small>W2 = ± 0.012</small> <small>W3 = ± 0.015</small>		CUMMINS NPPOWER CORPORATE OFFICE 1800 BURNLEY ROAD WHITE BEAR LAKE, MN WWW.NPOWER.CUMMINS.COM	CUMMINS FIRE POWER DESIGN CENTER 875 LAWRENCE DRIVE DEPERE, WISCONSIN WWW.CUMMINSFIREPOWER.COM
	DWG SCALE: 10 PLOT SCALE:	DRAWN BY: CMC APPD BY:	DATE:
DESCRIPTION SCHEMATIC, CONTROL PANEL, ECM UPFIT			REFERENCE: FIREPUMP QSB, QSC, QSM
DRAWING NUMBER: 8512SHT3_M			