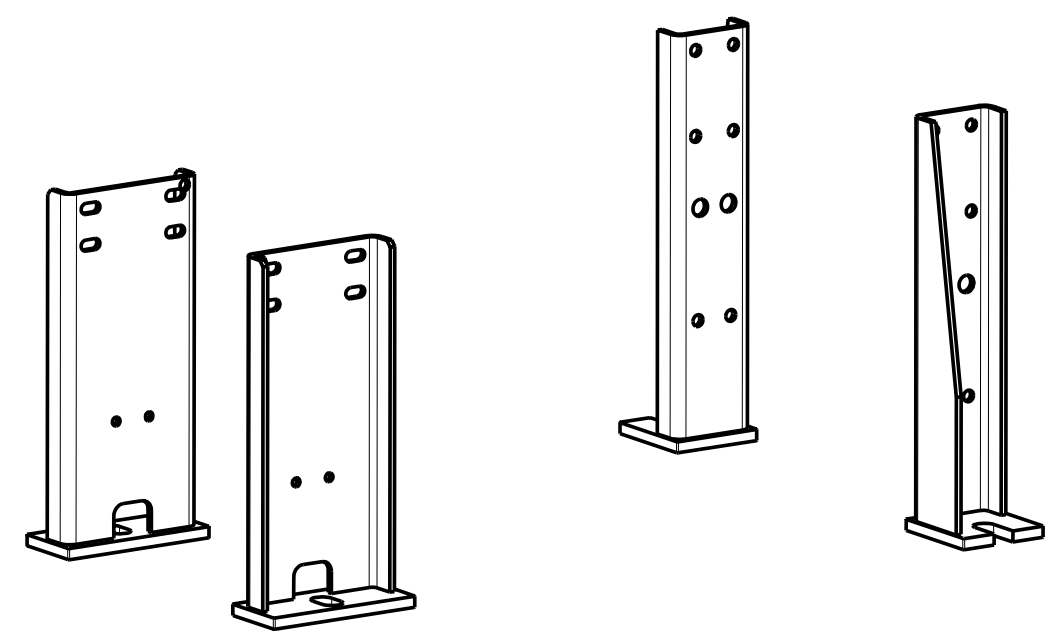


BILL OF MATERIAL			
ITEM	QTY	DESCRIPTION	PART NUMBER
1	2	SUPPORT, ENGINE, FRONT, FIREPUMP, 6C LEGACY	9647
2	2	LEG, ENGINE SUPPORT, REAR, FIREPUMP, 6C LEGACY	9650



<small>ALL RIGHTS TO MANUFACTURE, COPY OR DISPOSE OF THIS DRAWING OR ITS CONTENTS ARE RESERVED UNLESS OTHERWISE SPECIFIED IN WRITING BY CUMMINS NPOWER, LLC</small>				<small>CUMMINS NPOWER, LLC CORPORATE OFFICE 1600 BUERKLE ROAD WHITE BEAR LAKE, MN WWW.NPOWER.CUMMINS.COM</small>		<small>CUMMINS FIREPOWER DESIGN CENTER 875 LAWRENCE DRIVE DEPERE, WISCONSIN CUMMINSFIREPOWER.COM</small>					
<small>UNLESS OTHERWISE SPECIFIED ALL DIMENSION TOLERANCES ARE ANGULAR DIMENSIONS $\pm 1^\circ$</small>				TITLE 1: ASSEMBLY, MOUNTING, ENGINE TITLE 2: FIREPUMP, 6C LEGACY							
<small>IMPERIAL UNITS</small> MACHINE TOLERANCES .X = ± 0.06 .XX = ± 0.010 .XXX = ± 0.001 WELD TOLERANCES .X = ± 0.25 .XX = ± 0.12 .XXX = ± 0.06		<small>METRIC UNITS</small> MACHINE TOLERANCES X = ± 1.5 X.X = ± 0.5 X.XX = ± 0.05 WELDED TOLERANCES X = ± 5 X.X = ± 3 X.XX = ± 1.50		DWG UNITS: IN/LB/S		DRAWN BY: DAVE N APPD BY:		DATE: 13OCT2004 DATE:			
REV DESCRIPTION OF REVISION		REV BY DATE		EST WEIGHT: 238534.059		SCALE: 0.125 DO NOT SCALE		SHEET 10FI DRAWING NO: 9646		REV: A	

AI	GRAPHICS UPDATE	DAVE N	02JUN05
A	TITLEBLOCK UPDATE	DAVE N	01NOV2004