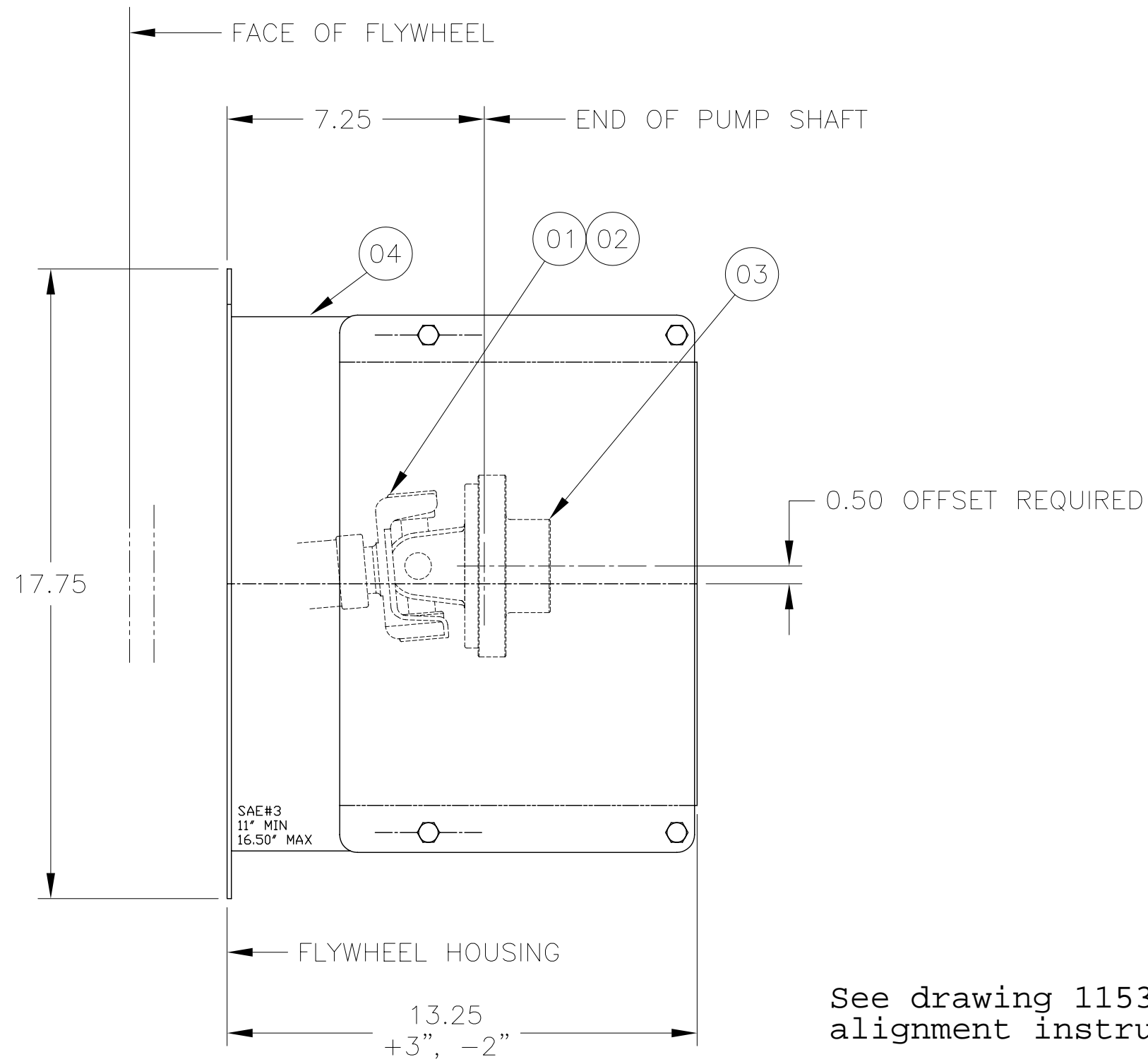


ITEM	QTY	DESCRIPTION	MATERIAL
01	1	U-JOINT ADAPT, SAE#3, HAYES #127513-02	8615
02	1	DRIVE SHAFT, 1480	8613
03	1	COMPANION FLANGE, SEE WO FOR BORE	8608-__
04	1	ASSEMBLY, TELESOPING GUARD, CFP59	9494



See drawing 11537 for alignment instructions

<small>ALL RIGHTS TO MANUFACTURE, COPY OR DISPOSE OF THIS DRAWING OR ITS CONTENTS ARE RESERVED UNLESS OTHERWISE SPECIFIED IN WRITING BY CUMMINS NPOWER, LLC</small>			<small>CUMMINS NPOWER CORPORATE OFFICE 1600 BUERKLE ROAD WHITE BEAR LAKE, MN WWW.NPOWER.CUMMINS.COM</small>	<small>CUMMINS FIRE POWER DESIGN CENTER 875 LAWRENCE DRIVE DEPERE, WISCONSIN WWW.CUMMINSFIREPOWER.COM</small>
	<small>UNLESS OTHERWISE NOTED ALL DIMENSIONS ARE IN INCHES APPLY MACHINE TOLERANCES .X = ± 0.06 .XX = ± 0.010 .XXX = ± 0.001 APPLY WELDED TOLERANCES .X = ± 0.25 .XX = ± 0.12 .XXX = ± 0.06</small>	<small>DWG SCALE: 1/4</small>	<small>DRAWN BY: DAVE N</small>	<small>DATE: 20JUN2005</small>
	<small>PLOT SCALE:</small>	<small>APPD BY:</small>	<small>DATE:</small>	
	<small>DESCRIPTION</small> <b>ASSEMBLY, DRIVE SHAFT W/ GUARD</b>			
	<small>REFERENCE:</small> <b>CFP59-83, 1480 DRIVE SHAFT</b>		<small>DRAWING NUMBER:</small> <b>10165</b>	

REV	DESCRIPTION OF REVISION	BY	DATE